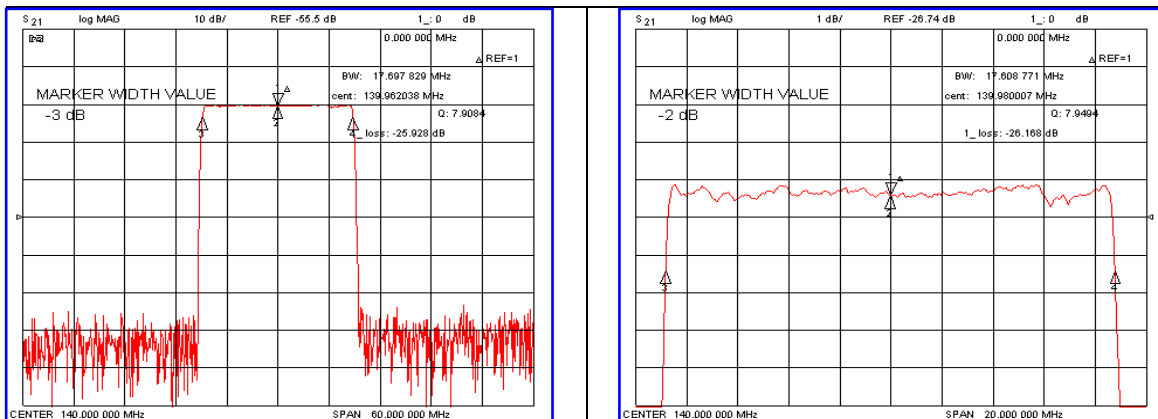


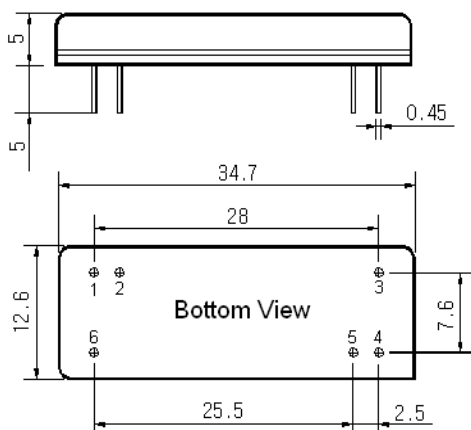
Typical Performance



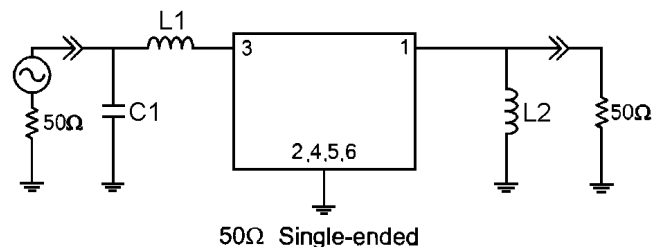
Specification

Parameter	Unit	Min.	Typ.	Max.
Center Frequency	MHz	139.90	140.00	140.10
Insertion Loss	dB	-	26.00	27.50
2dB Bandwidth	MHz	17.50	17.60	-
25dB Bandwidth	MHz	-	18.48	18.55
40dB Bandwidth	MHz	-	18.72	18.85
Passband Ripple	dB	-	0.70	1.00
Group Delay Variation	nsec	-	50	100
Absolute Delay	usec	-	2.90	-
Ultimate Attenuation	dB	50	55	-
Substrate Material	-	128-LiNbO ₃		
Temperature Coefficient	ppm/°C	-72		

Package Dimension



Matching Configuration



L1=15nH, L2=82nH, C1=18pF
 Source / Load Impedance = 50Ω
 Ambient Temperature = 25°C

Rev.0 090715

