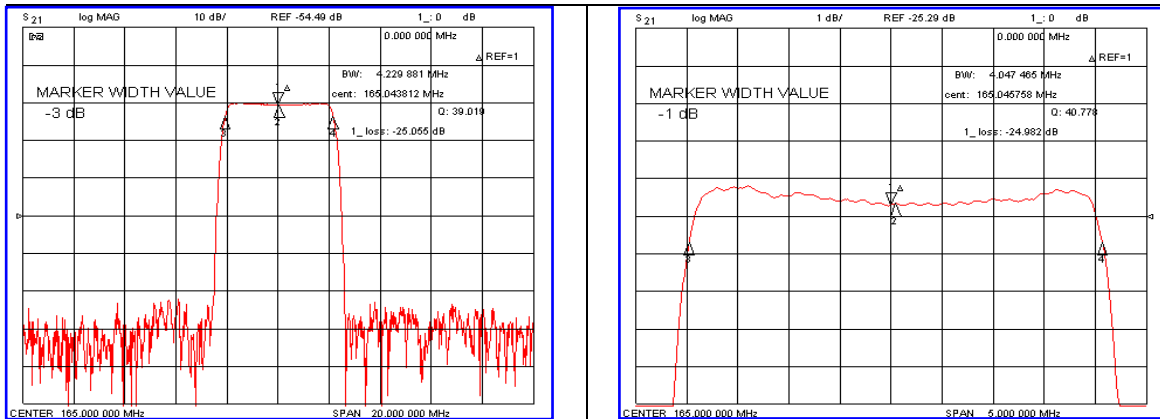


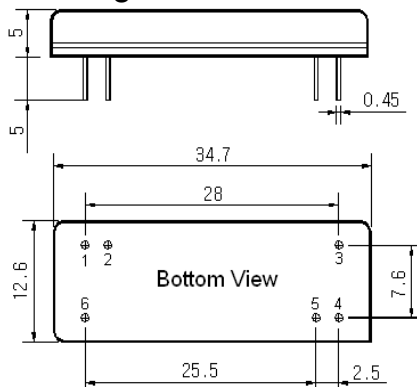
Typical Performance



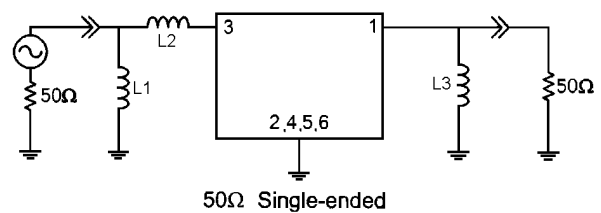
Specification

Parameter	Unit	Min.	Typ.	Max.
Center Frequency	MHz	-	165.00	-
Insertion Loss	dB	-	25.20	27.00
3dB Bandwidth	MHz	4.00	4.22	4.40
40dB Bandwidth	MHz	-	5.05	-
Relative Attenuation				
3dB edge(4.2MHz)± 400KHz	dB	10	20	-
3dB edge(4.2MHz)± 600KHz	dB	20	35	-
3dB edge(4.2MHz)± 1.0MHz	dB	25	45	-
3dB edge(4.2MHz)± 5.0MHz	dB	35	45	-
Passband Ripple	dB	-	0.55	1.00
Group Delay Variation	nsec	-	120	200
Absolute Delay	usec	-	3.13	-
Substrate Material	-	Quartz		
Temperature Coefficient	ppm/°C	-0.03		

Package Dimension



Matching Configuration



50Ω Single-ended
 L1=15nH, L2=3.3nH, L3=18nH
 Source / Load Impedance = 50Ω
 Ambient Temperature = 25°C

Rev.0 090629

