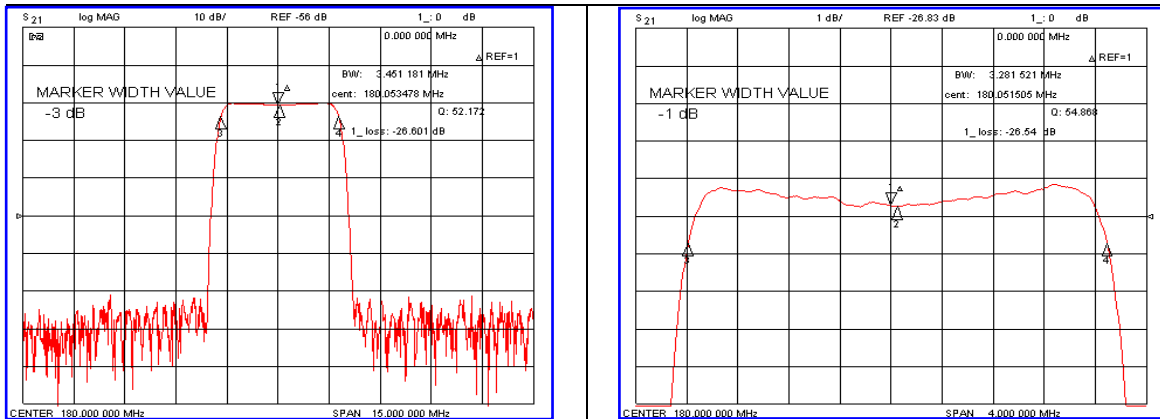


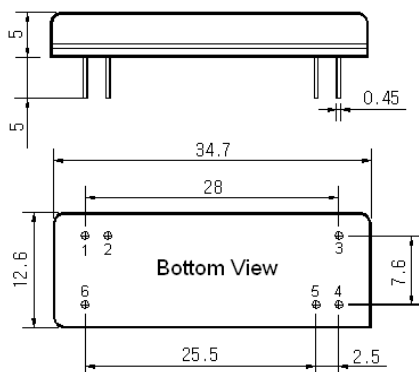
Typical Performance



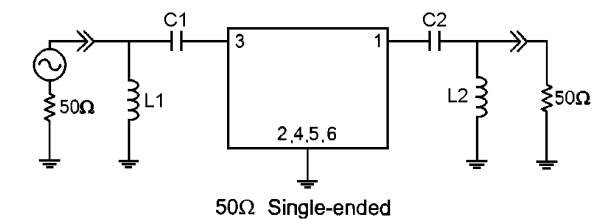
Specification

Parameter	Unit	Min.	Typ.	Max.
Center Frequency	MHz	-	180.00	-
Insertion Loss	dB	-	26.60	28.00
3dB Bandwidth	MHz	3.20	3.45	3.60
40dB Bandwidth	MHz	-	4.20	-
Relative Attenuation				
3dB edge(3.4MHz) \pm 400KHz	dB	10	20	-
3dB edge(3.4MHz) \pm 600KHz	dB	20	35	-
3dB edge(3.4MHz) \pm 1.0MHz	dB	25	45	-
3dB edge(3.4MHz) \pm 5.0MHz	dB	35	45	-
Passband Ripple	dB	-	0.60	1.00
Group Delay Variation	nsec	-	100	200
Absolute Delay	usec	-	3.49	-
Substrate Material	-	Quartz		
Temperature Coefficient	ppm/ $^{\circ}$ C	-0.03		

Package Dimension



Matching Configuration



L1=15nH, L2=22nH, C1=100pF, C2=75pF
 Source / Load Impedance = 50 Ω
 Ambient Temperature = 25 $^{\circ}$ C

Rev.0 090629

