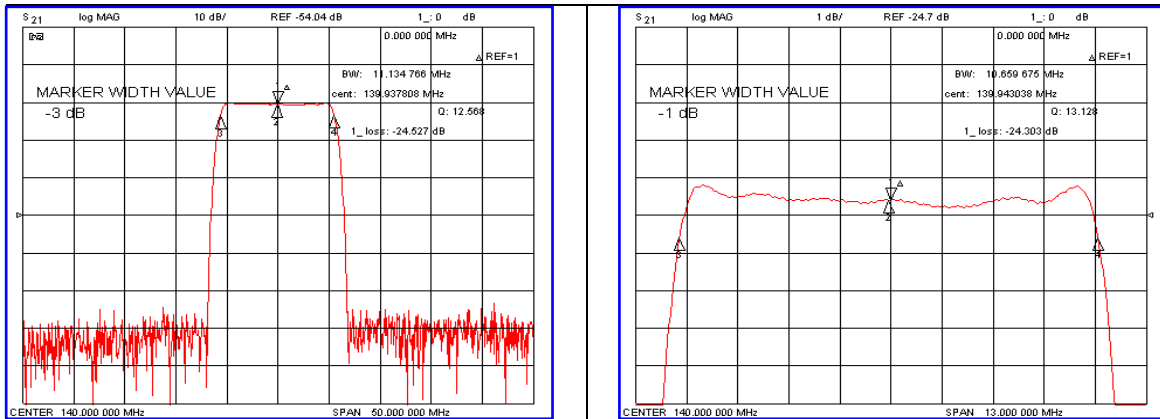


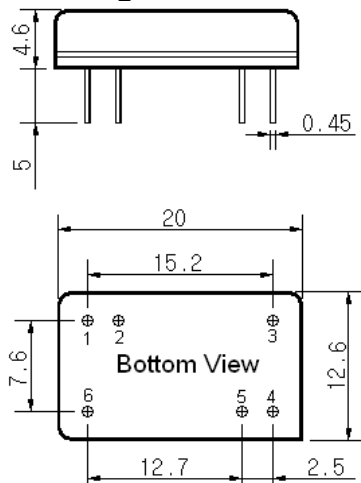
### Typical Performance



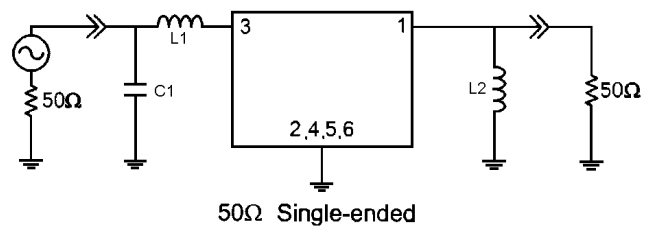
### Specification

Parameter	Unit	Min.	Typ.	Max.
Center Frequency	MHz	139.85	140.00	140.15
Insertion Loss	dB	-	24.52	26.00
1dB Bandwidth	MHz	-	10.65	-
3dB Bandwidth	MHz	10.80	11.13	-
40dB Bandwidth	MHz	-	13.35	13.50
Passband Ripple	dB	-	0.65	1.00
Group Delay Variation	nsec	-	30	50
Absolute Delay	μsec	-	2.68	-
Ultimate Attenuation	dB	50	55	-
Substrate Material	-	112- LiTaO <sub>3</sub>		
Temperature Coefficient	ppm/°C	-20		

### Package Dimension



### Matching Configuration



L1=68nH, L2=56nH, C1=22pF  
 Source / Load Impedance = 50Ω  
 Ambient Temperature = 25°C

Rev0. 090716

