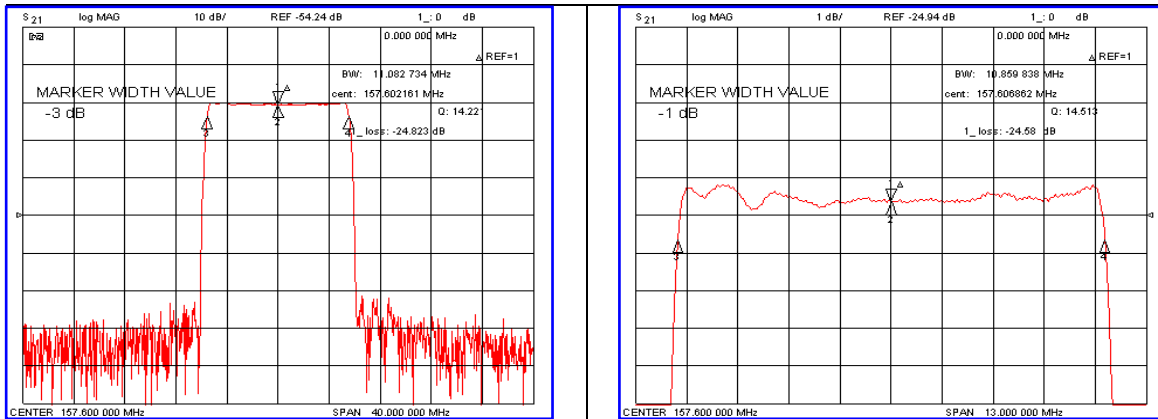


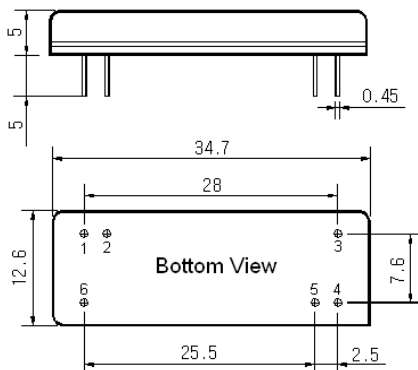
Typical Performance



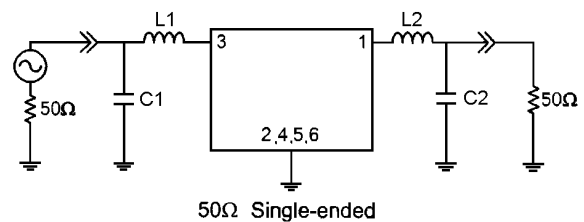
Specification

Parameter	Unit	Min.	Typ.	Max.
Center Frequency	MHz	-	157.60	-
Insertion Loss	dB	-	25.00	26.50
3dB Bandwidth	MHz	-	11.08	-
40dB Bandwidth	MHz	-	12.06	-
Relative Attenuation				
3dB edge(11MHz) \pm 400KHz	dB	10	15	-
3dB edge(11MHz) \pm 600KHz	dB	20	35	-
3dB edge(11MHz) \pm 1.0MHz	dB	25	45	-
3dB edge(11MHz) \pm 5.0MHz	dB	35	45	-
Passband Ripple	dB	-	0.65	1.00
Group Delay Variation	nsec	-	75	150
Absolute Delay	usec	-	3.77	-
Substrate Material	-	112-LiTaO ₃		
Temperature Coefficient	ppm/ $^{\circ}$ C	-20		

Package Dimension



Matching Configuration



L1=33nH, L2=33nH, C1=43pF, C2=47pF
 Source / Load Impedance = 50Ω
 Ambient Temperature = 25 $^{\circ}$ C

Rev.0 090715

