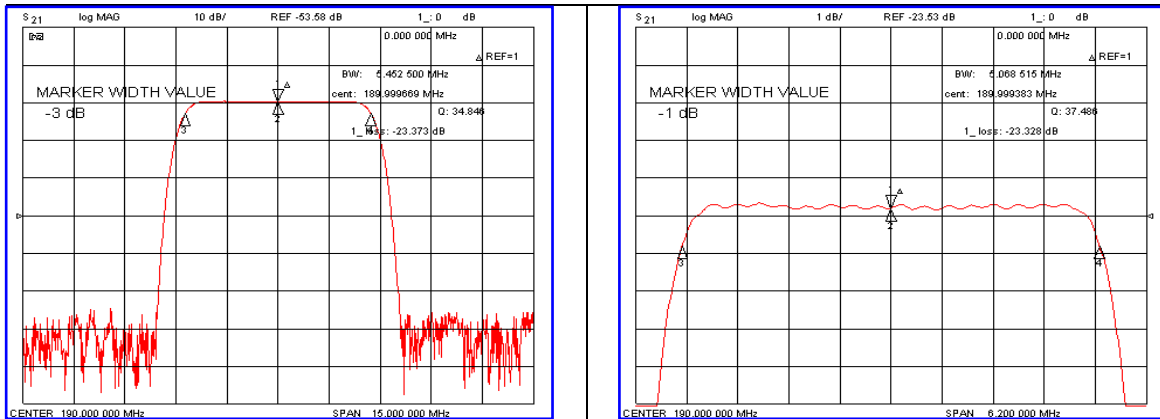


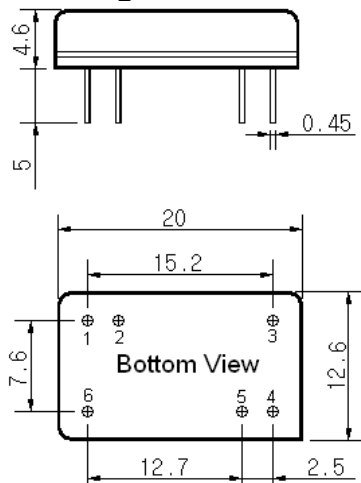
### Typical Performance



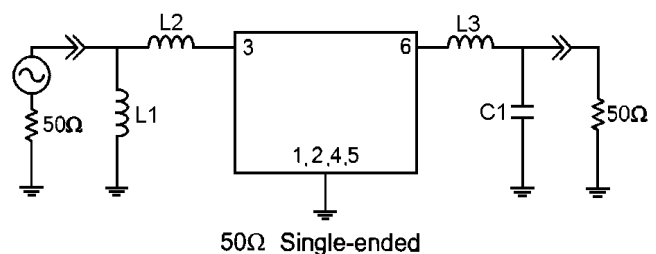
### Specification

Parameter	Unit	Min.	Typ.	Max.
Center Frequency	MHz	-	190.00	-
Insertion Loss	dB	-	23.50	25.00
1dB Bandwidth	MHz	-	5.06	-
3dB Bandwidth	MHz	5.30	5.45	-
40dB Bandwidth	MHz	-	6.86	7.10
Passband Ripple( $F_c \pm 2.304$ MHz)	dB	-	0.35	1.00
Group Delay Variation	nsec	-	60	120
Absolute Delay	µsec	-	1.73	-
Ultimate Attenuation	dB	50	55	-
Substrate Material	-	Quartz		
Temperature Coefficient	ppm/°C	-0.03		

### Package Dimension



### Matching Configuration



L1=12nH, L2=15nH, L3=56nH, C1=30pF  
 Source / Load Impedance = 50Ω  
 Ambient Temperature = 25°C

Rev0. 090703

