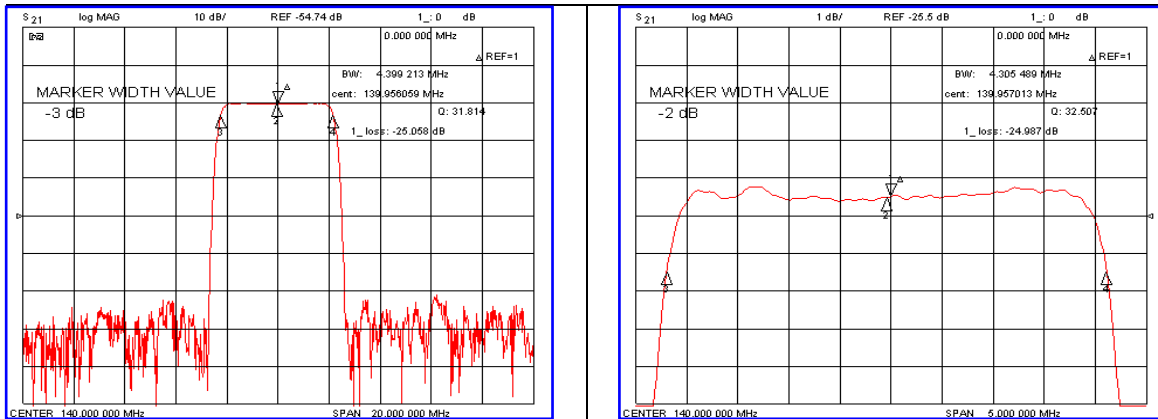


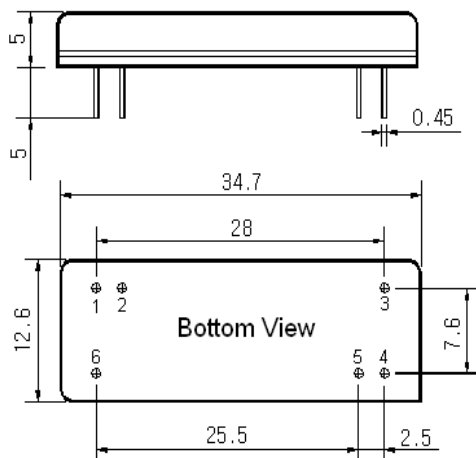
### Typical Performance



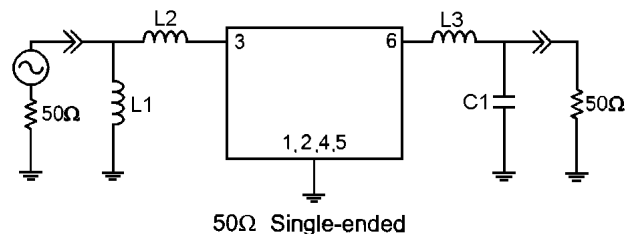
### Specification

Parameter	Unit	Min.	Typ.	Max.
Center Frequency	MHz	139.90	140.00	140.10
Insertion Loss	dB	-	25.00	26.50
2dB Bandwidth	MHz	4.20	4.30	-
25dB Bandwidth	MHz	-	5.05	5.15
40dB Bandwidth	MHz	-	5.21	5.35
Passband Ripple	dB	-	0.50	1.00
Group Delay Variation	nsec	-	100	200
Absolute Delay	usec	-	3.05	-
Ultimate Attenuation	dB	48	52	-
Substrate Material	-	Quartz		
Temperature Coefficient	ppm/°C	-0.03		

### Package Dimension



### Matching Configuration



L1=22nH, L2=22nH, L3=56nH, C1=56pF  
 Source / Load Impedance = 50Ω  
 Ambient Temperature = 25°C

Rev.0 090629

