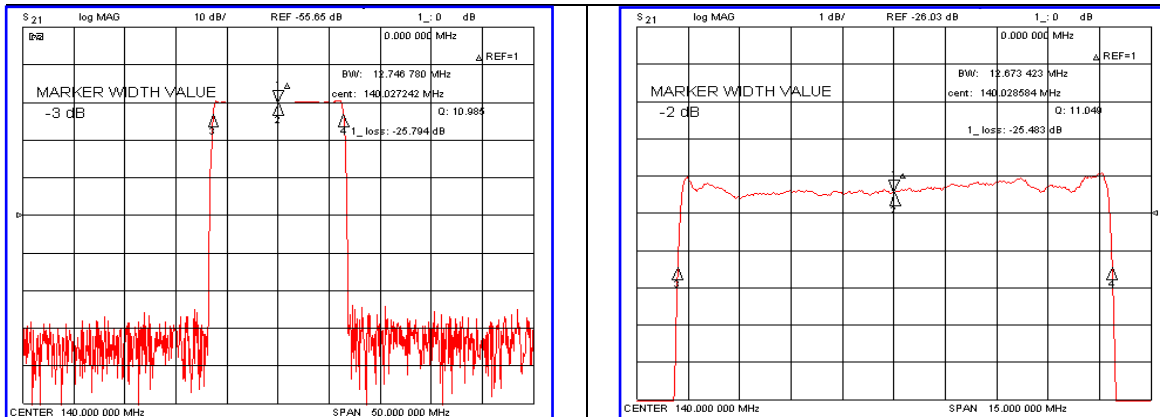


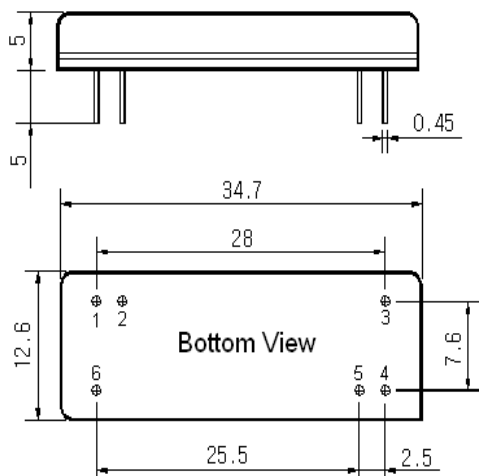
Typical Performance



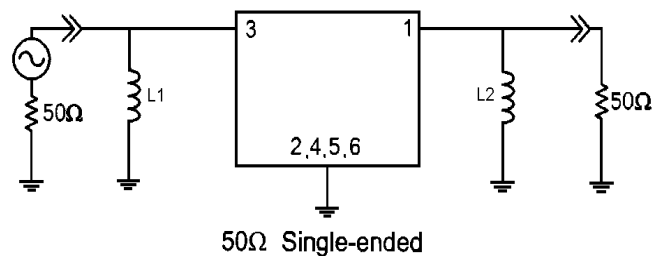
Specification

| Parameter | Unit | Min. | Typ. | Max. |
|-------------------------|--------|------------------------|--------|--------|
| Center Frequency | MHz | 139.90 | 140.00 | 140.10 |
| Insertion Loss | dB | - | 25.80 | 27.00 |
| 2dB Bandwidth | MHz | 12.60 | 12.67 | - |
| 25dB Bandwidth | MHz | - | 13.37 | 13.45 |
| 40dB Bandwidth | MHz | - | 13.55 | 13.65 |
| Passband Ripple | dB | - | 0.66 | 1.00 |
| Group Delay Variation | nsec | - | 55 | 100 |
| Absolute Delay | usec | - | 4.00 | - |
| Ultimate Attenuation | dB | 50 | 55 | - |
| Substrate Material | - | 112-LiTaO ₃ | | |
| Temperature Coefficient | ppm/°C | -20 | | |

Package Dimension



Matching Configuration



L1=22nH, L2=22nH
 Source / Load Impedance = 50Ω
 Ambient Temperature = 25°C

Rev.0 091007

