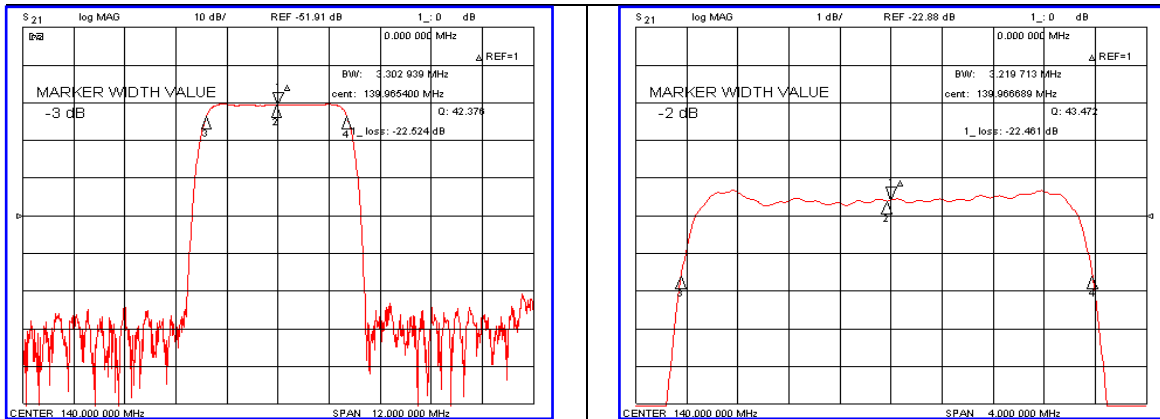


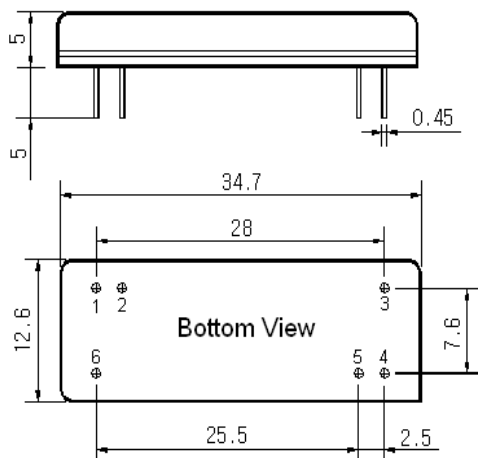
Typical Performance



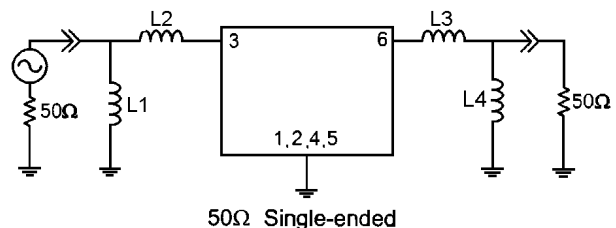
Specification

Parameter	Unit	Min.	Typ.	Max.
Center Frequency	MHz	139.90	140.00	140.10
Insertion Loss	dB	-	22.60	25.00
2dB Bandwidth	MHz	3.18	3.21	-
25dB Bandwidth	MHz	-	3.91	4.00
40dB Bandwidth	MHz	-	4.10	4.20
Passband Ripple	dB	-	0.50	1.00
Group Delay Variation	nsec	-	100	200
Absolute Delay	usec	-	3.13	-
Ultimate Attenuation	dB	48	52	-
Substrate Material	-	Quartz		
Temperature Coefficient	ppm/°C	-0.03		

Package Dimension



Matching Configuration



L1=27nH, L2=12nH, L3=12nH, L4=22nH
 Source / Load Impedance = 50Ω
 Ambient Temperature = 25°C

Rev.0 090618

