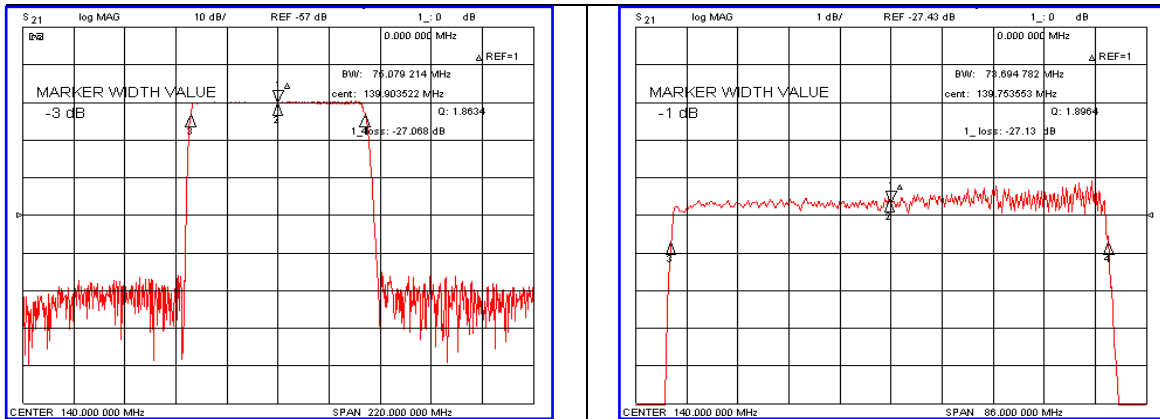


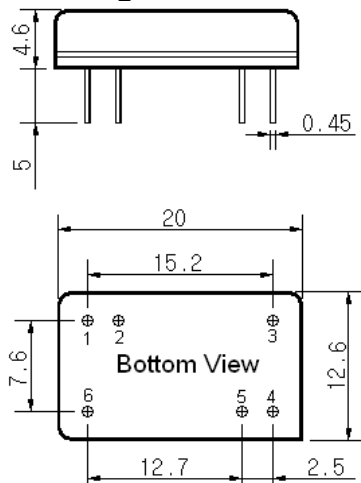
### Typical Performance



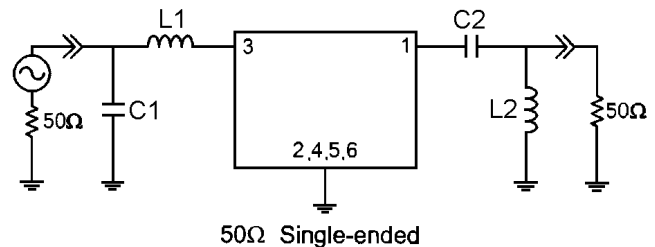
### Specification

Parameter	Unit	Min.	Typ.	Max.
Center Frequency	MHz	139.80	140.00	140.20
Insertion Loss	dB	-	27.06	28.50
1dB Bandwidth	MHz	-	73.69	-
3dB Bandwidth	MHz	74.90	75.07	-
40dB Bandwidth	MHz	-	82.30	82.70
Passband Ripple	dB	-	0.90	1.20
Group Delay Variation	nsec	-	50	100
Absolute Delay	μsec	-	0.72	-
Ultimate Attenuation	dB	40	45	-
Substrate Material	-	128- LiNbO <sub>3</sub>		
Temperature Coefficient	ppm/°C	-72		

### Package Dimension



### Matching Configuration



L1=15nH, L2=100nH, C1=30pF, C2=56pF  
 Source / Load Impedance = 50Ω  
 Ambient Temperature = 25°C

Rev0. 090813

