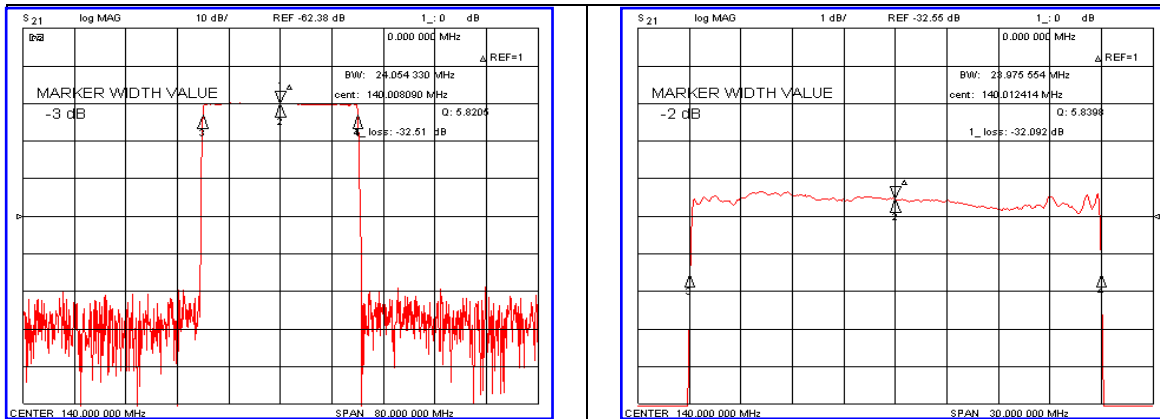


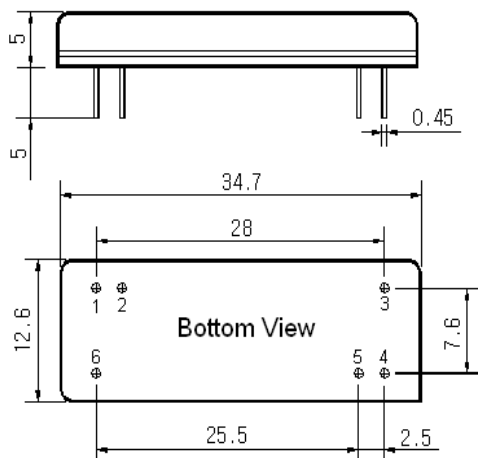
Typical Performance



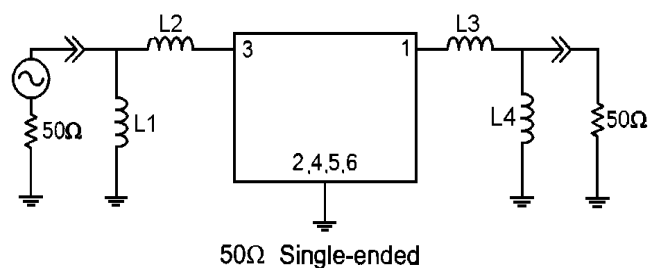
Specification

Parameter	Unit	Min.	Typ.	Max.
Center Frequency	MHz	139.90	140.00	140.10
Insertion Loss	dB	-	32.60	34.00
2dB Bandwidth	MHz	23.92	23.97	-
25dB Bandwidth	MHz	-	24.73	24.80
40dB Bandwidth	MHz	-	24.93	25.05
Passband Ripple	dB	-	0.65	1.00
Group Delay Variation	nsec	-	50	100
Absolute Delay	usec	-	4.07	-
Ultimate Attenuation	dB	48	50	-
Substrate Material	-	112-LiTaO ₃		
Temperature Coefficient	ppm/°C	-20		

Package Dimension



Matching Configuration



L1=27nH, L2=12nH, L3=12nH, L4=27nH
 Source / Load Impedance = 50Ω
 Ambient Temperature = 25°C

Rev.0 091026

