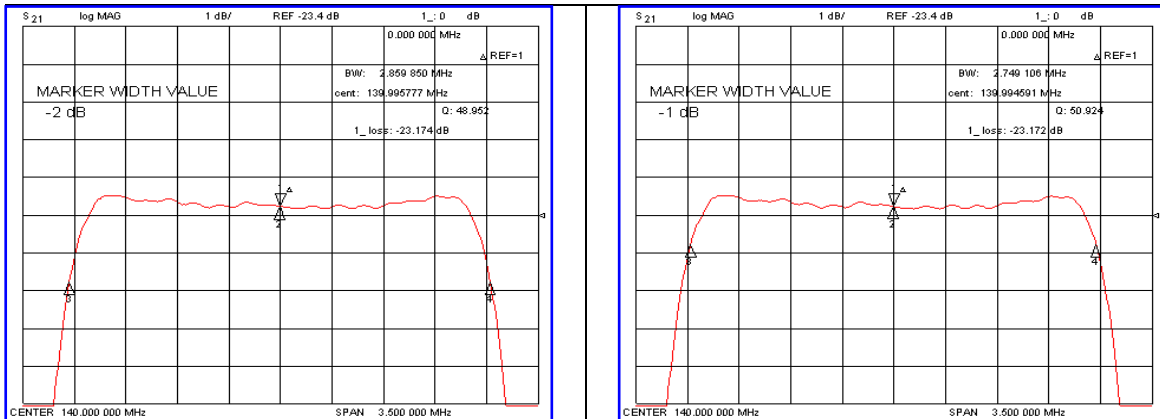


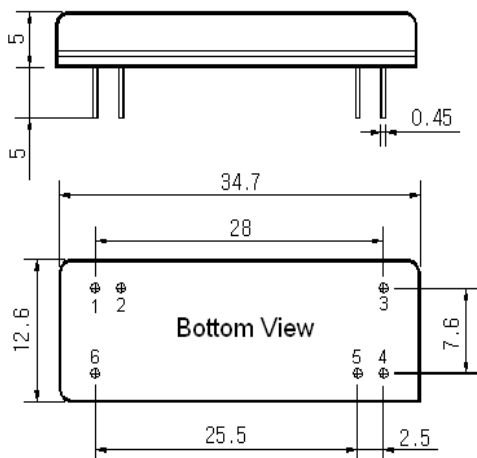
### Typical Performance



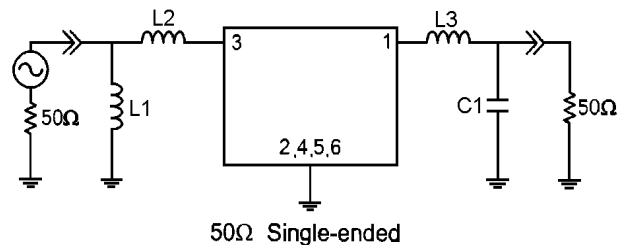
### Specification

Parameter	Unit	Min.	Typ.	Max.
Center Frequency	MHz	139.90	140.00	140.10
Insertion Loss	dB	-	23.20	25.00
2dB Bandwidth	MHz	2.75	2.85	-
25dB Bandwidth	MHz	-	3.55	3.65
40dB Bandwidth	MHz	-	3.72	-
Passband Ripple	dB	-	0.40	1.00
Group Delay Variation	nsec	-	100	200
Absolute Delay	usec	-	3.07	-
Ultimate Attenuation	dB	50	53	-
Substrate Material	-	Quartz		
Temperature Coefficient	ppm/°C	-0.03		

### Package Dimension



### Matching Configuration



L1=22nH, L2=3.9nH, L3=68nH, C1=27pF  
 Source / Load Impedance = 50Ω  
 Ambient Temperature = 25°C

Rev.0 091216

