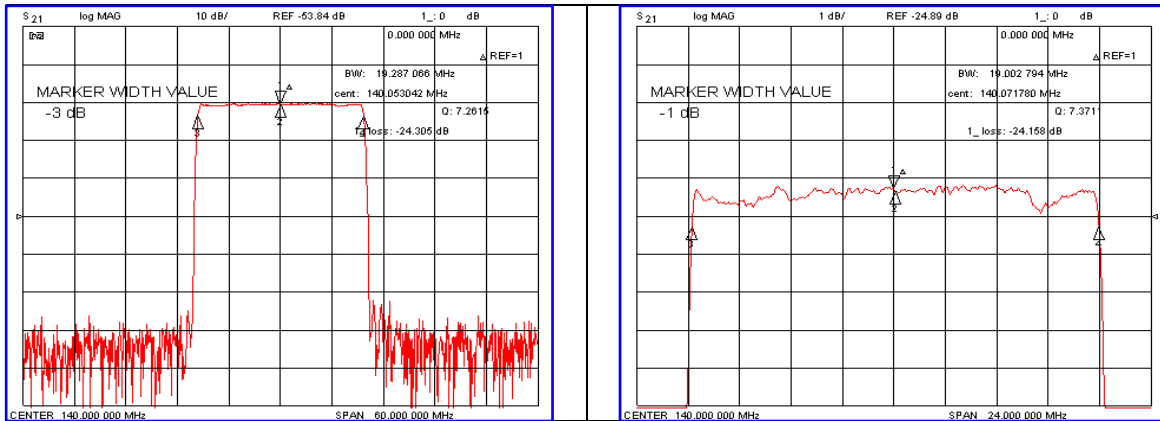


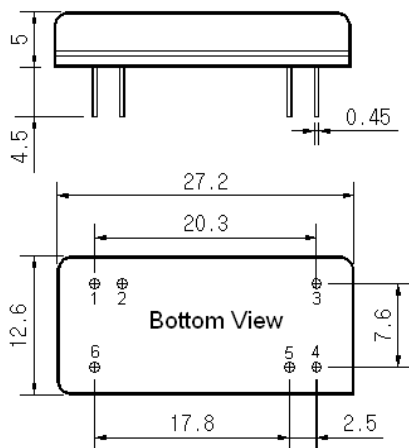
Typical Performance



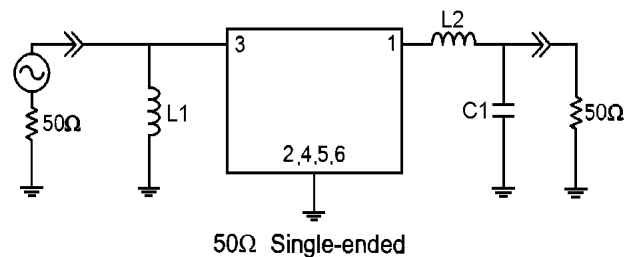
Specification

Parameter	Unit	Min.	Typ.	Max.
Center Frequency	MHz	-	140.00	-
Insertion Loss	dB	-	24.50	25.50
1dB Bandwidth	MHz	18.90	19.00	-
3dB Bandwidth	MHz	-	19.28	-
50dB Bandwidth	MHz	-	20.49	20.60
Passband Ripple	dB	-	0.75	1.00
Group Delay Variation	nsec	-	50	100
Absolute Delay	µsec	-	2.73	-
Ultimate Attenuation	dB	48	52	-
Substrate Material	-	128-LiNbO ₃		
Temperature Coefficient	ppm/°C	-72		

Package Dimension



Matching Configuration



L1=56nH, L2=33nH, C1=12pF
 Source / Load Impedance = 50Ω
 Ambient Temperature = 25°C

Rev.1 091130

