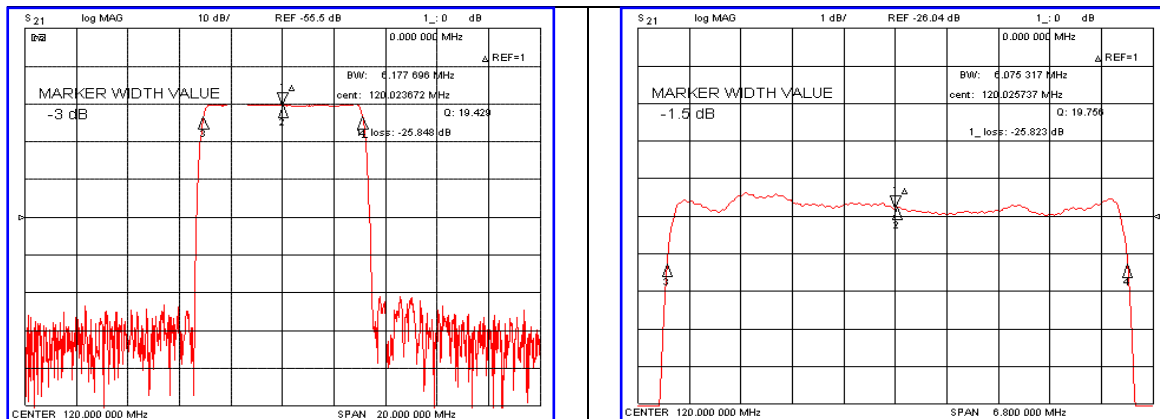


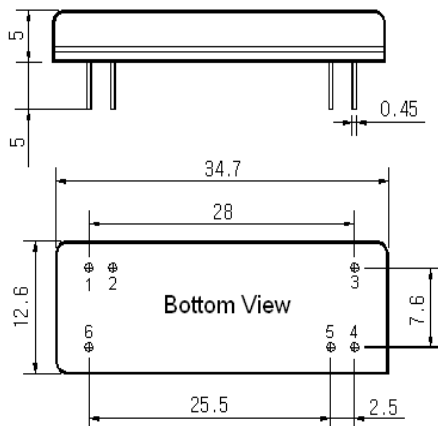
Typical Performance



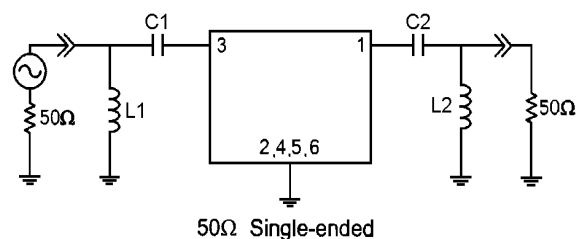
Specification

Parameter	Unit	Min.	Typ.	Max.
Center Frequency	MHz	119.80	120.00	120.20
Insertion Loss	dB	-	25.84	28.00
1.5dB Bandwidth	MHz	6.00	6.07	-
3dB Bandwidth	MHz	-	6.17	-
36dB Bandwidth	MHz	-	6.77	6.80
46dB Bandwidth	MHz	-	6.85	-
51dB Bandwidth	MHz	-	6.88	-
Ultimate rejection($F_c \pm 8.0\text{MHz}$)	dB	-	60	-
Amplitude Ripple	dB	-	0.70	1.00
Group Delay Variation	nsec	-	70	150
Absolute Delay	usec	-	4.96	-
Substrate Material	-	112-LiTaO ₃		
Temperature Coefficient	ppm/°C	-20		

Package Dimension



Matching Configuration



L1=47nH, L2=47nH, C1=150pF, C2=150pF
 Source / Load Impedance = 50Ω
 Ambient Temperature = 25°C

Rev.0 100305

