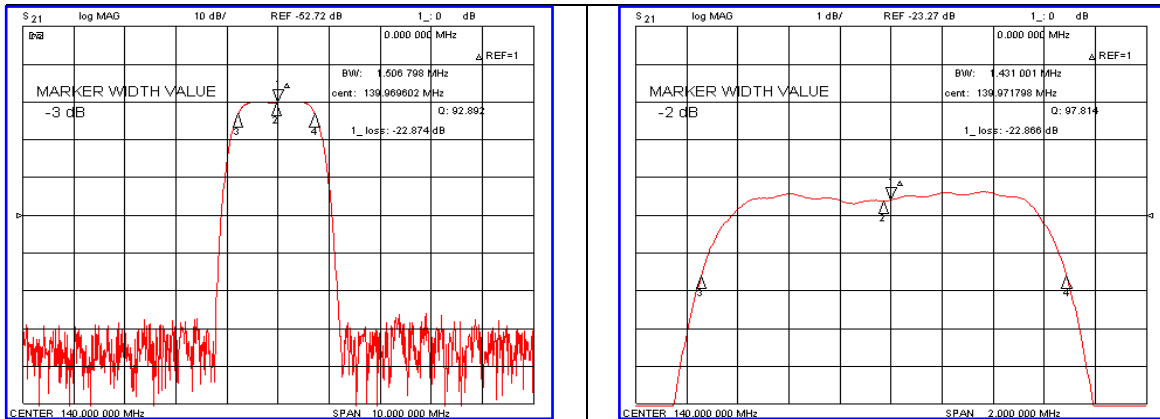


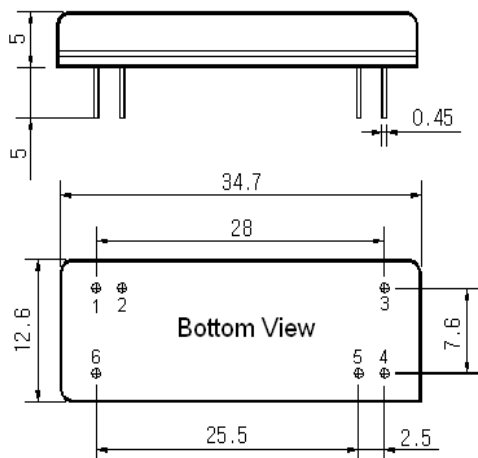
### Typical Performance



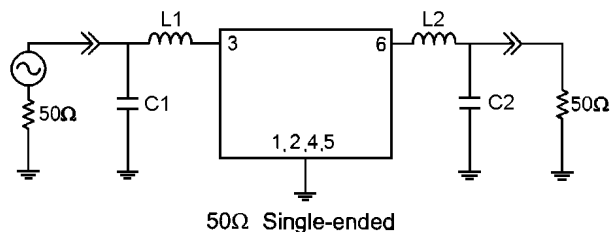
### Specification

Parameter	Unit	Min.	Typ.	Max.
Center Frequency	MHz	139.90	140.00	140.10
Insertion Loss	dB	-	23.00	25.00
2dB Bandwidth	MHz	1.30	1.43	-
25dB Bandwidth	MHz	-	2.10	2.20
40dB Bandwidth	MHz	-	2.30	2.40
Passband Ripple	dB	-	0.55	1.00
Group Delay Variation	nsec	-	150	200
Absolute Delay	usec	-	3.29	-
Ultimate Attenuation	dB	50	55	-
Substrate Material	-	Quartz		
Temperature Coefficient	ppm/°C	-0.03		

### Package Dimension



### Matching Configuration



L1=33nH, L2=27nH, C1=51pF, C2=43pF  
 Source / Load Impedance = 50Ω  
 Ambient Temperature = 25°C

Rev.0 090618

