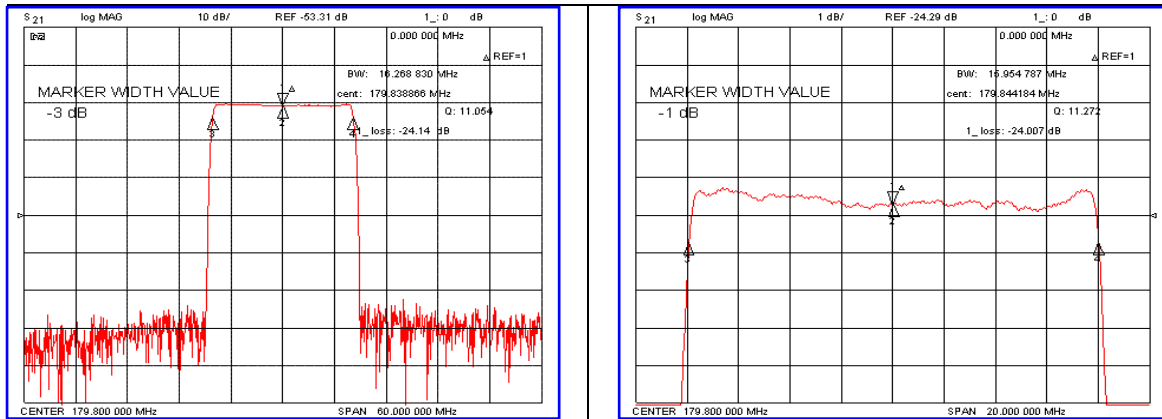


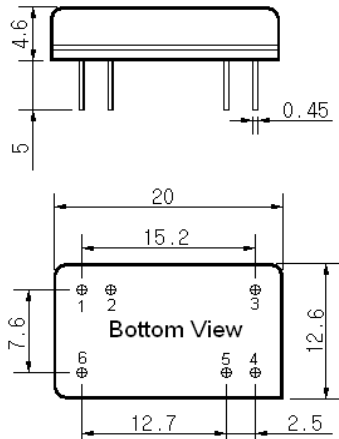
Typical Performance



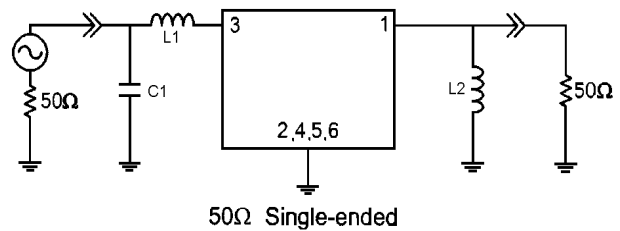
Specification

Parameter	Unit	Min.	Typ.	Max.
Center Frequency	MHz	179.65	179.80	179.95
Insertion Loss	dB	-	24.50	26.50
1dB Bandwidth	MHz	15.80	15.95	-
50dB Bandwidth	MHz	-	17.80	18.00
Passband Ripple($F_c \pm 7.47$ MHz)	dB	-	0.65	1.00
Group Delay Variation($F_c \pm 7.47$ MHz)	nsec	-	50	100
Absolute Delay	µsec	-	2.76	-
Relative Attenuation $F_c + 7.47$ MHz + 1.6MHz	dB	40	50	-
Ultimate Attenuation	dB	50	54	-
Substrate Material	-	112- LiTaO ₃		
Temperature Coefficient	ppm/°C	-20		

Package Dimension



Matching Configuration



L1=33nH, L2=22nH, C1=36pF
 Source / Load Impedance = 50Ω
 Ambient Temperature = 25°C

Rev1. 100512

