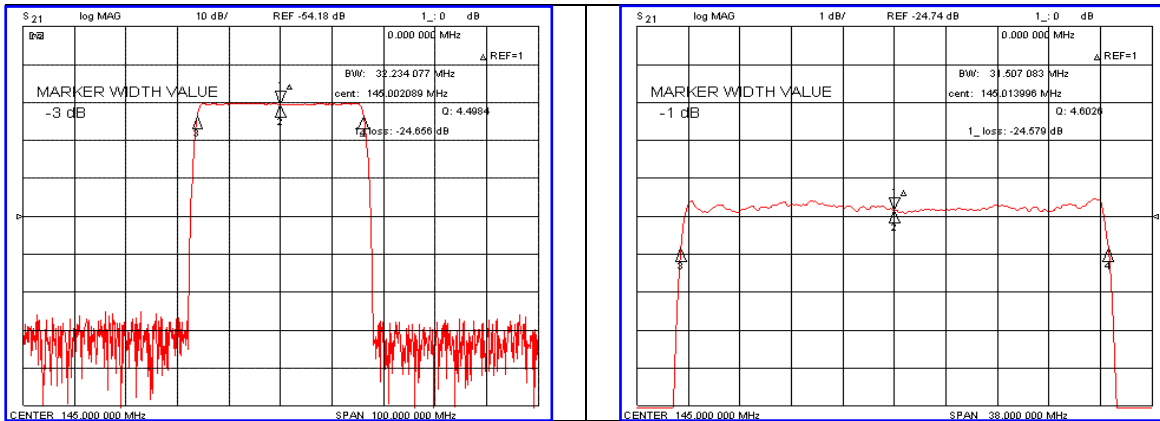


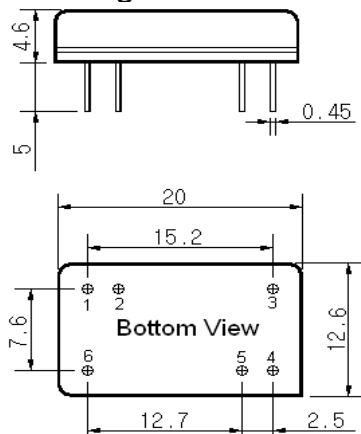
Typical Performance



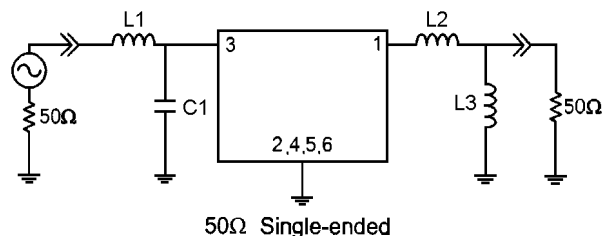
Specification

Parameter	Unit	Min.	Typ.	Max.
Center Frequency	MHz	-	145.00	-
Insertion Loss	dB	-	25.00	26.50
1dB Bandwidth	MHz	31.30	31.50	-
3dB Bandwidth	MHz	-	32.23	-
40dB Bandwidth	MHz	-	35.40	35.60
Relative Attenuation				
Fc+25MHz	dB	50	55	-
Passband Ripple(Fc±14.52MHz)	dB	-	0.50	1.00
Group Delay Variation(Fc±14.52MHz)	nsec	-	30	50
Absolute Delay	µsec	-	1.1	-
Substrate Material	-	128- LiNbO ₃		
Temperature Coefficient	ppm/°C	-72		

Package Dimension



Matching Configuration



L1=22nH, L2=22nH, L3=100nH, C1=15pF
 Source / Load Impedance = 50Ω
 Ambient Temperature = 25°C

Rev0. 091230

