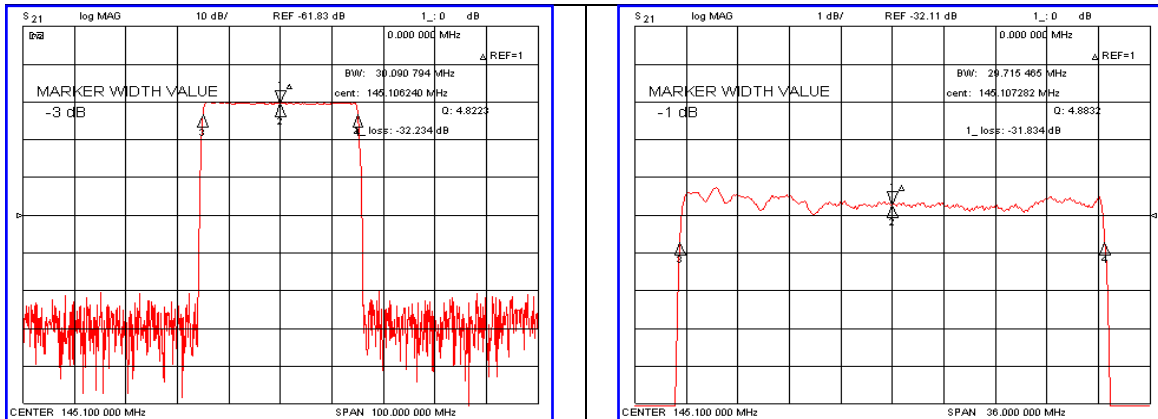


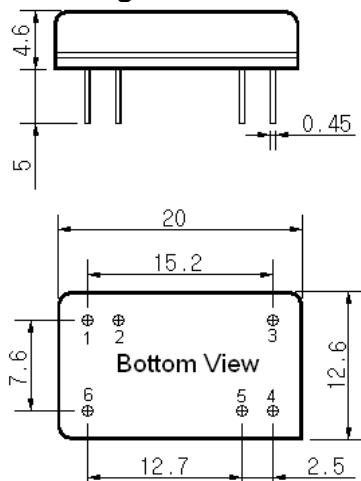
### Typical Performance



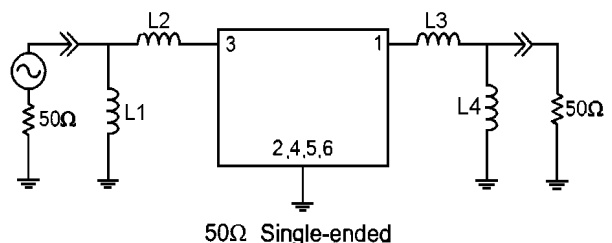
### Specification

Parameter	Unit	Min.	Typ.	Max.
Center Frequency	MHz	-	145.10	-
Insertion Loss	dB	-	32.50	35.00
1dB Bandwidth	MHz	29.50	29.71	-
3dB Bandwidth	MHz	-	30.09	-
15dB Bandwidth	MHz	-	31.05	31.20
Passband Ripple( $F_c \pm 14.42$ MHz)	dB	-	0.75	1.00
Group Delay Variation( $F_c \pm 14.42$ MHz)	nsec	-	30	50
Absolute Delay	$\mu$ sec	-	2.93	-
Ultimate Attenuation	dB	46	50	-
Substrate Material	-	112- LiTaO <sub>3</sub>		
Temperature Coefficient	ppm/ $^{\circ}$ C	-20		

### Package Dimension



### Matching Configuration



L1=33nH, L2=15nH, L3=18nH, L4=33nH  
 Source / Load Impedance = 50 $\Omega$   
 Ambient Temperature = 25 $^{\circ}$ C

Rev0. 100315

