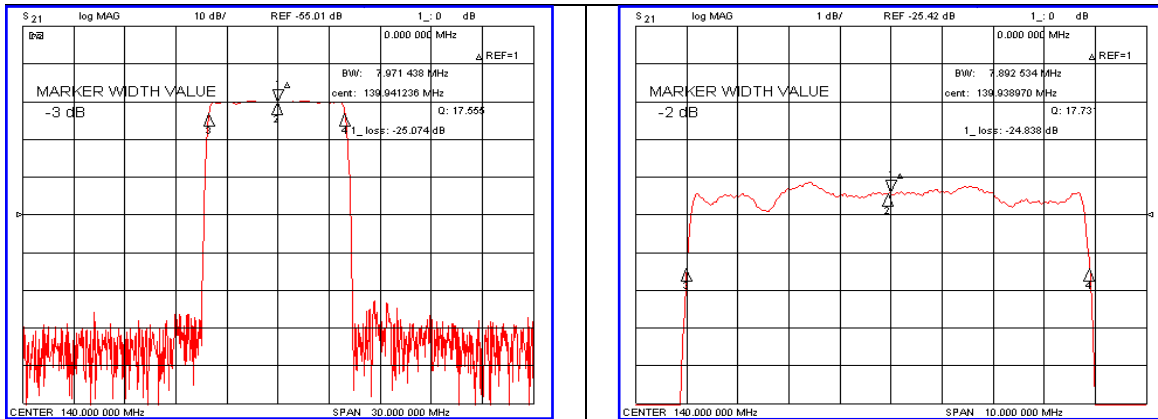


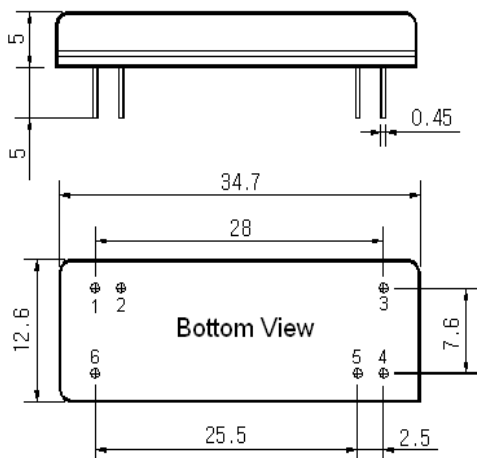
### Typical Performance



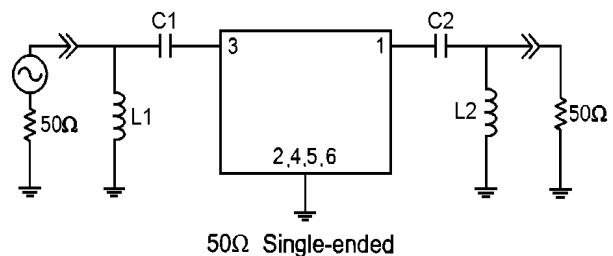
### Specification

Parameter	Unit	Min.	Typ.	Max.
Center Frequency	MHz	139.90	140.00	140.10
Insertion Loss	dB	-	25.10	27.00
2dB Bandwidth	MHz	7.80	7.89	-
25dB Bandwidth	MHz	-	8.57	8.70
40dB Bandwidth	MHz	-	8.75	8.90
Passband Ripple	dB	-	0.80	1.00
Group Delay Variation	nsec	-	65	120
Absolute Delay	usec	-	4.49	-
Ultimate Attenuation	dB	50	53	-
Substrate Material	-	112-LiTaO <sub>3</sub>		
Temperature Coefficient	ppm/°C	-20		

### Package Dimension



### Matching Configuration



L1=27nH, L2=27nH, C1=100pF, C2=100pF  
 Source / Load Impedance = 50Ω  
 Ambient Temperature = 25°C

Rev.0 090528

