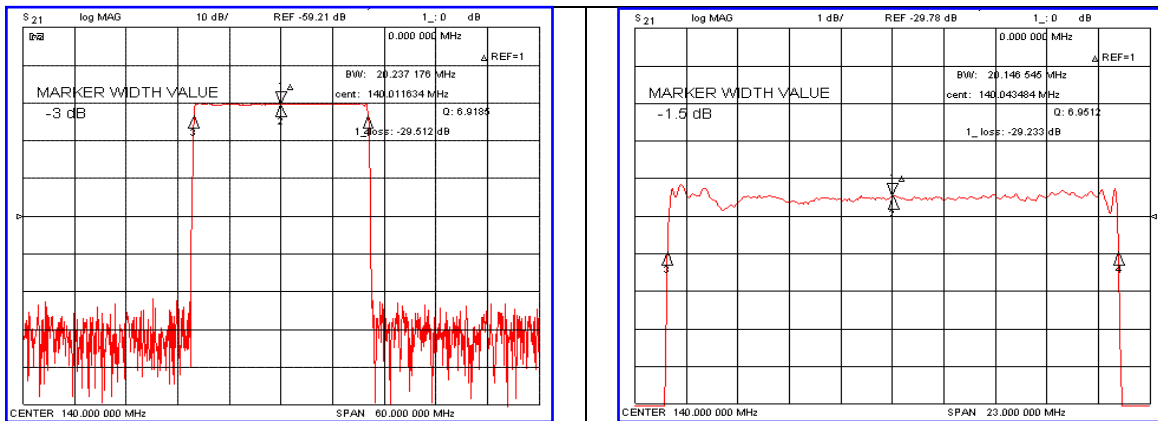


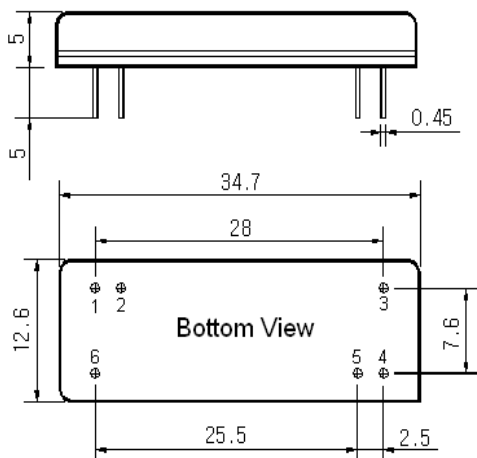
Typical Performance



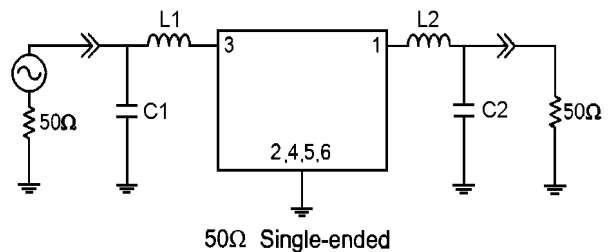
Specification

Parameter	Unit	Min.	Typ.	Max.
Center Frequency	MHz	139.80	140.00	140.20
Insertion Loss	dB	-	29.60	31.00
1.5dB Bandwidth	MHz	20.10	20.14	-
3dB Bandwidth	MHz	-	20.23	-
40dB Bandwidth	MHz	-	20.86	21.00
Passband Ripple	dB	-	0.85	1.20
Group Delay Variation	nsec	-	100	200
Absolute Delay	usec	-	4.33	-
Ultimate Attenuation($F_c \pm 15\text{MHz}$)	dB	50	55	-
Substrate Material	-	Yz-LiNbO ₃		
Temperature Coefficient	ppm/°C	-94		

Package Dimension



Matching Configuration



L1=39nH, L2=47nH, C1=18pF, C2=24pF
 Source / Load Impedance = 50Ω
 Ambient Temperature = 25°C

Rev.0 100520

