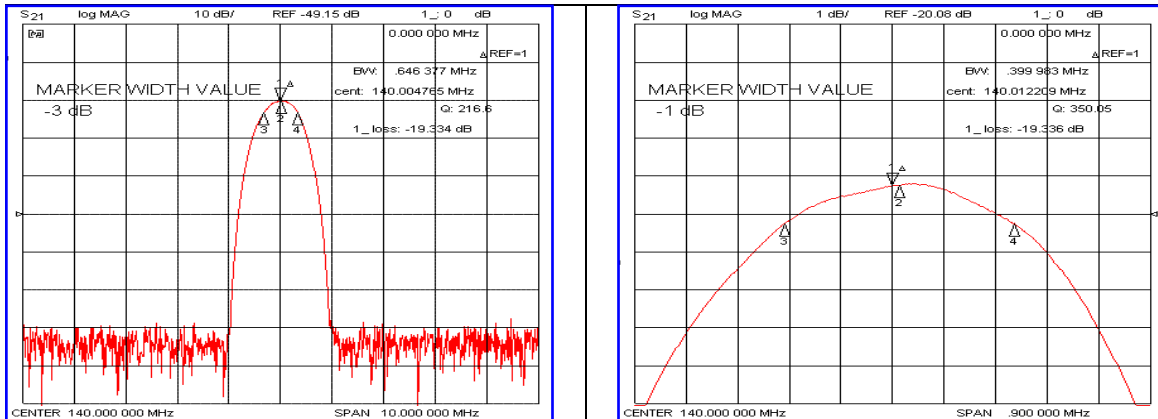


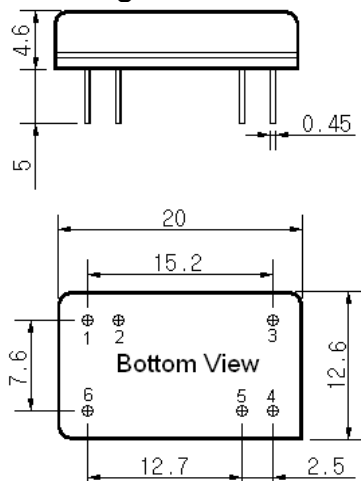
Typical Performance



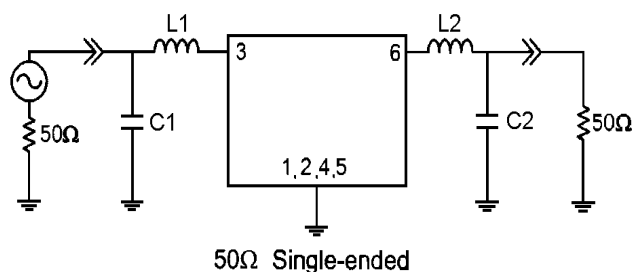
Specification

Parameter	Unit	Min.	Typ.	Max.
Center Frequency	MHz	139.85	140.00	140.15
Insertion Loss	dB	-	19.55	22.00
1dB Bandwidth	MHz	-	0.39	-
3dB Bandwidth	MHz	0.50	0.64	-
40dB Bandwidth	MHz	-	1.75	2.00
Passband Ripple	dB	-	0.65	1.00
Group Delay Variation	nsec	-	200	300
Absolute Delay	μsec	-	2.33	-
Ultimate Attenuation	dB	50	55	-
Substrate Material	-	Quartz		
Temperature Coefficient	ppm/°C	-0.03		

Package Dimension



Matching Configuration



L1=18nH, L2=18nH, C1=11pF, C2=11pF
 Source / Load Impedance = 50Ω
 Ambient Temperature = 25°C

Rev0. 100615

