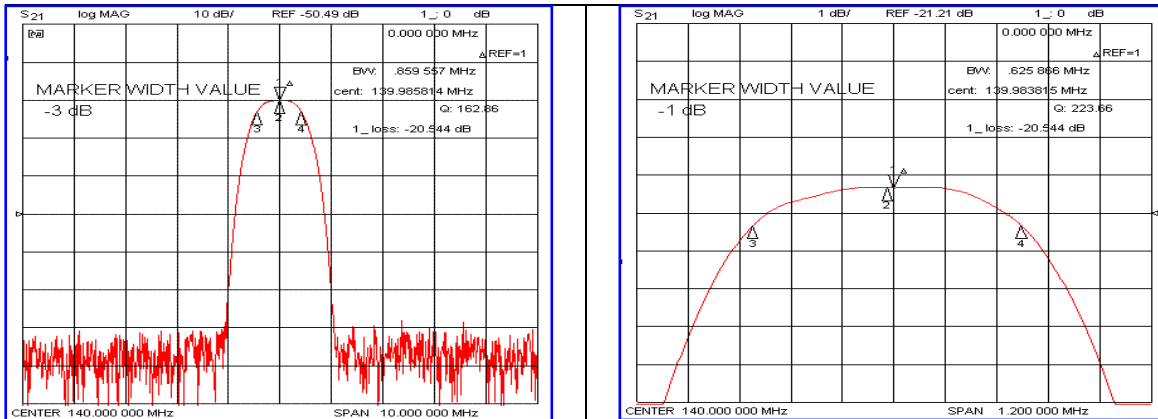


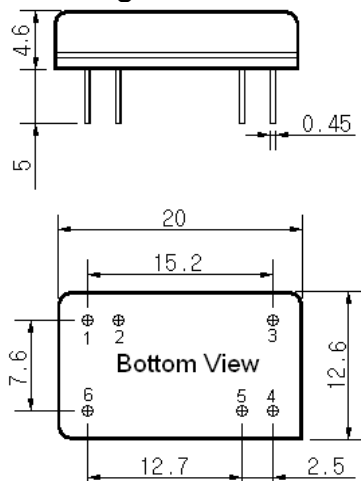
### Typical Performance



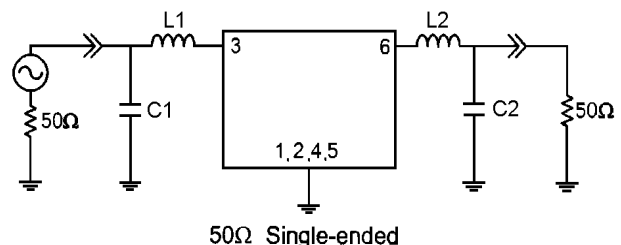
### Specification

Parameter	Unit	Min.	Typ.	Max.
Center Frequency	MHz	139.85	140.00	140.15
Insertion Loss	dB	-	20.60	23.00
1dB Bandwidth	MHz	-	0.62	-
3dB Bandwidth	MHz	0.70	0.85	-
40dB Bandwidth	MHz	-	1.90	2.20
Passband Ripple	dB	-	0.60	1.00
Group Delay Variation	nsec	-	100	200
Absolute Delay	μsec	-	2.29	-
Ultimate Attenuation	dB	50	55	-
Substrate Material	-	Quartz		
Temperature Coefficient	ppm/°C	-0.03		

### Package Dimension



### Matching Configuration



L1=39nH, L2=15nH, C1=36pF, C2=36pF  
 Source / Load Impedance = 50Ω  
 Ambient Temperature = 25°C

Rev0. 100614

