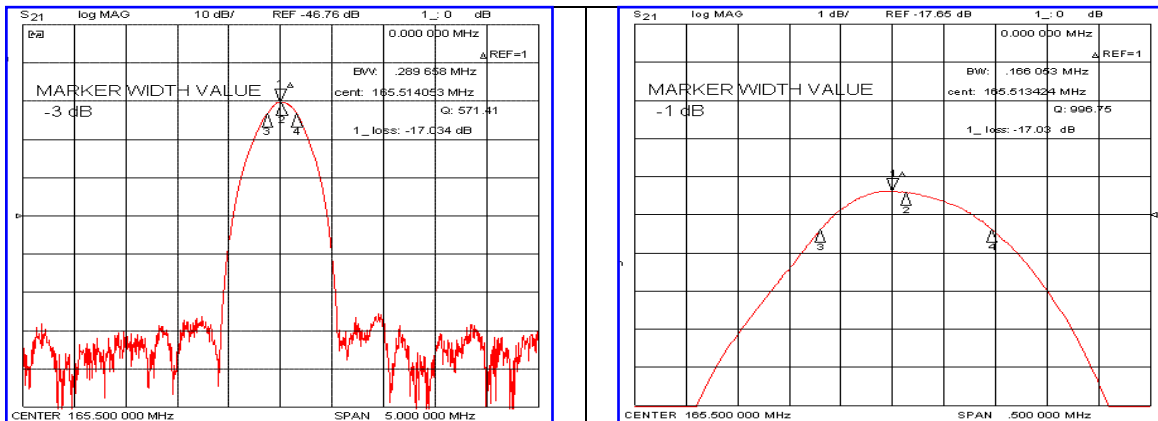


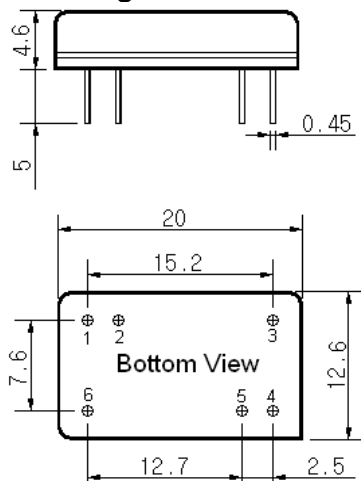
Typical Performance



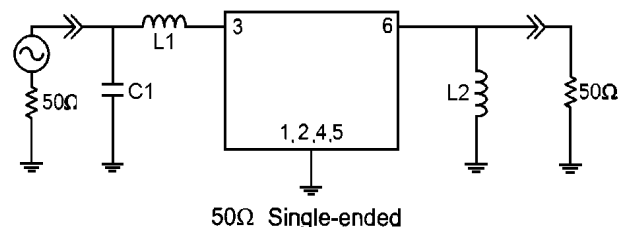
Specification

Parameter	Unit	Min.	Typ.	Max.
Center Frequency	MHz	165.35	165.50	165.65
Insertion Loss	dB	-	17.20	19.00
1dB Bandwidth	MHz	-	0.16	-
3dB Bandwidth	MHz	0.20	0.28	-
40dB Bandwidth	MHz	-	1.03	1.20
Passband Ripple	dB	-	0.45	1.00
Group Delay Variation	nsec	-	250	350
Absolute Delay	μsec	-	2.59	-
Ultimate Attenuation	dB	50	55	-
Substrate Material	-	Quartz		
Temperature Coefficient	ppm/°C	-0.03		

Package Dimension



Matching Configuration



L1=5.6nH, L2=120nH, C1=27pF
 Source / Load Impedance = 50Ω
 Ambient Temperature = 25°C

Rev0. 100615

