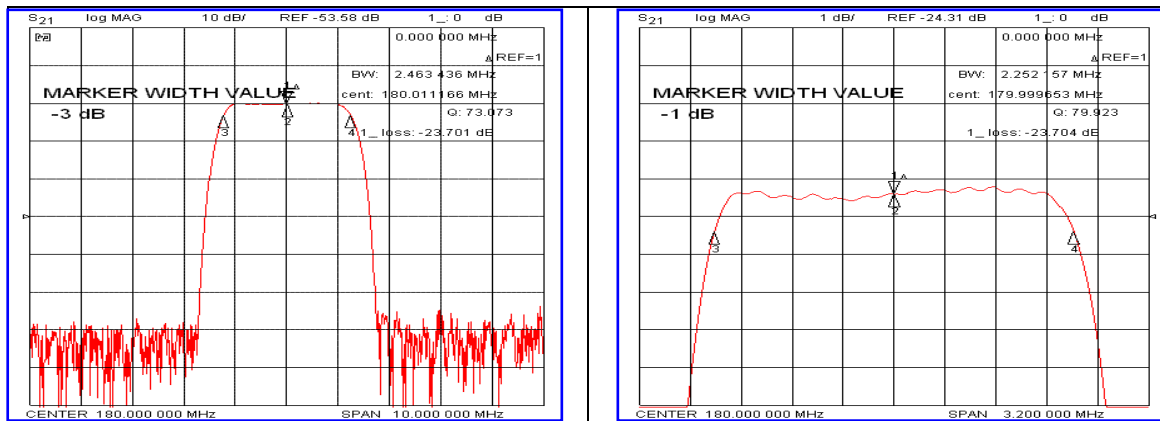


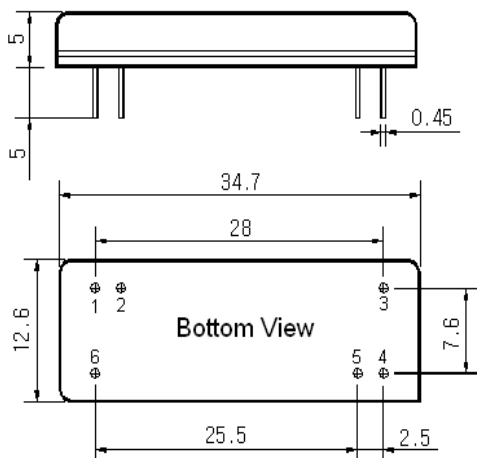
### Typical Performance



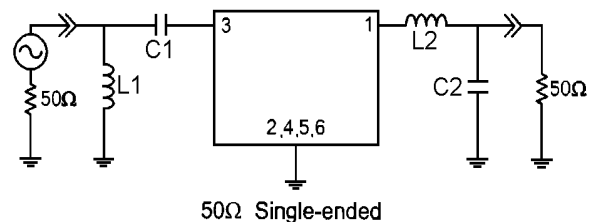
### Specification

Parameter	Unit	Min.	Typ.	Max.
Center Frequency	MHz	179.85	180.00	180.15
Insertion Loss	dB	-	23.80	25.50
1dB Bandwidth	MHz	2.14	2.25	-
3dB Bandwidth	MHz	-	2.46	-
40dB Bandwidth	MHz	-	3.32	3.50
Passband Ripple	dB	-	0.51	1.00
Group Delay Variation	nsec	-	100	200
Absolute Delay	usec	-	3.09	-
Ultimate Attenuation	dB	50	55	-
Substrate Material	-	Quartz		
Temperature Coefficient	ppm/°C	-0.03		

### Package Dimension



### Matching Configuration



L1=15nH, L2=12nH, C1=68pF, C2=24pF  
 Source / Load Impedance = 50Ω  
 Ambient Temperature = 25°C

Rev.0 101011

