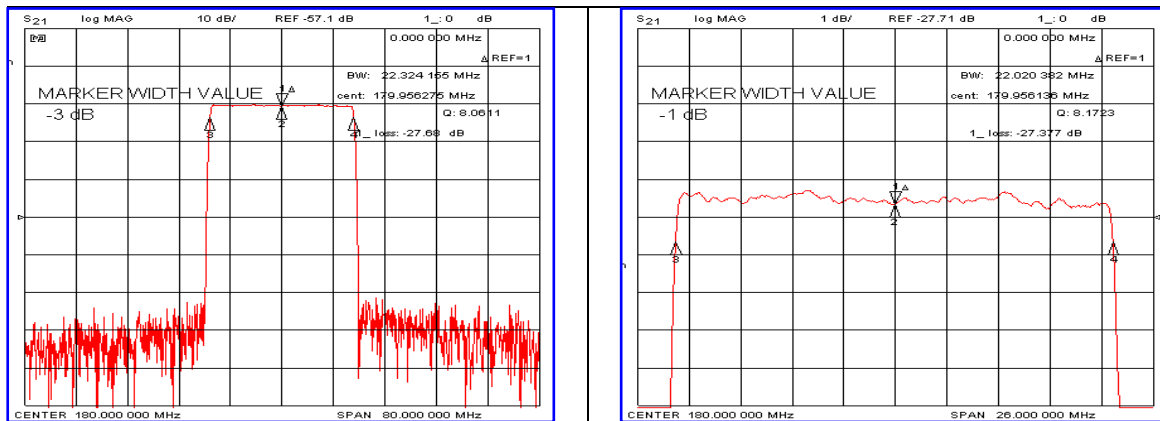


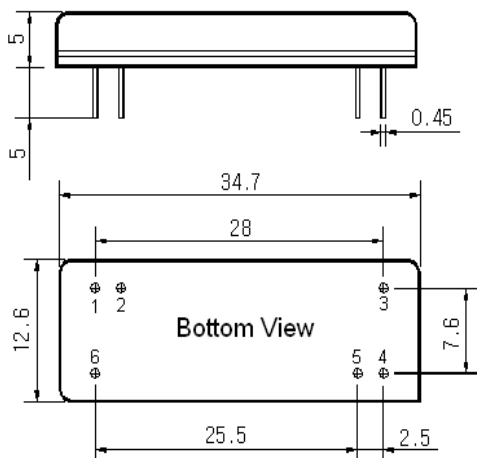
Typical Performance



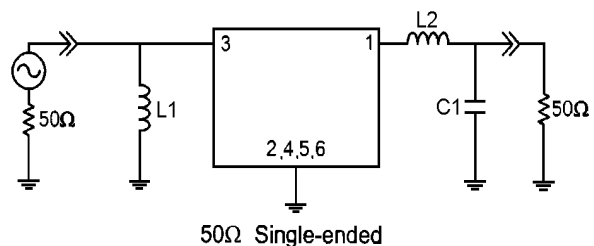
Specification

Parameter	Unit	Min.	Typ.	Max.
Center Frequency	MHz	179.90	180.00	180.10
Insertion Loss	dB	-	27.68	-
1dB Bandwidth	MHz	21.90	22.02	-
3dB Bandwidth	MHz	-	22.32	-
40dB Bandwidth	MHz	-	23.70	23.90
Passband Ripple	dB	-	0.55	1.00
Group Delay Variation	nsec	-	50	100
Absolute Delay	usec	-	3.21	-
Ultimate Attenuation	dB	50	53	-
Substrate Material	-	112-LiTaO ₃		
Temperature Coefficient	ppm/°C	-20		

Package Dimension



Matching Configuration



L1=15nH, L2=33nH, C1=30pF
 Source / Load Impedance = 50Ω
 Ambient Temperature = 25°C

Rev.0 100722

