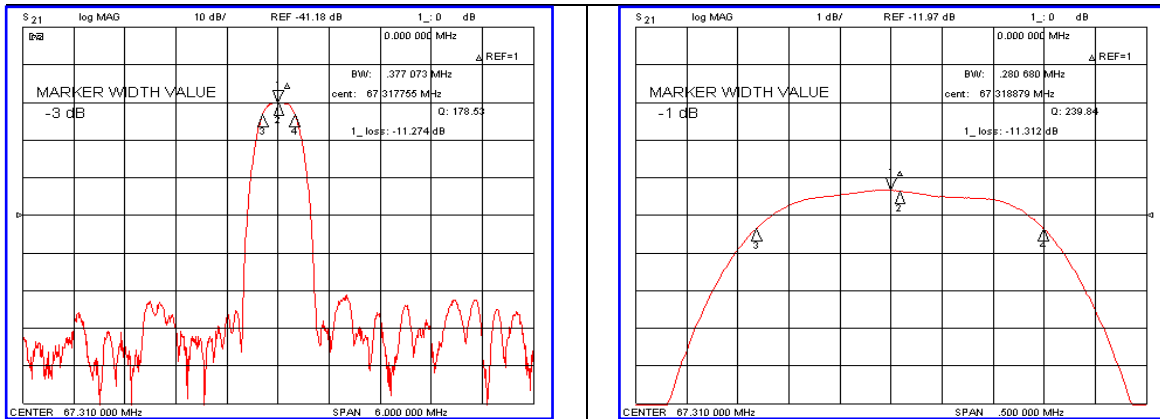


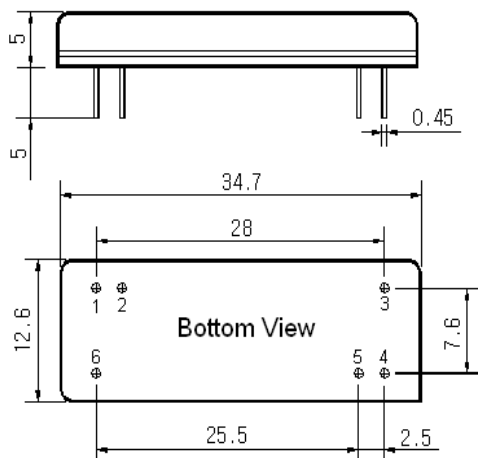
Typical Performance



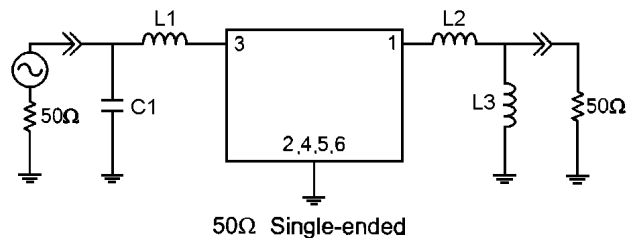
Specification

Parameter	Unit	Min.	Typ.	Max.
Center Frequency	MHz	66.25	67.31	67.37
Insertion Loss	dB	-	11.30	13.50
1dB Bandwidth	MHz	0.20	0.28	-
3dB Bandwidth	MHz	-	0.37	-
40dB Bandwidth	MHz	-	0.79	0.90
Passband Ripple	dB	-	0.45	1.00
Group Delay Variation	nsec	-	250	350
Absolute Delay	usec	-	4.48	-
Ultimate Attenuation	dB	48	53	-
Substrate Material	-	Quartz		
Temperature Coefficient	ppm/°C	-0.03		

Package Dimension



Matching Configuration



L1=150nH, L2=100nH, L3=56nH C1=92pF
 Source / Load Impedance = 50Ω
 Ambient Temperature = 25°C

Rev.0 090710

