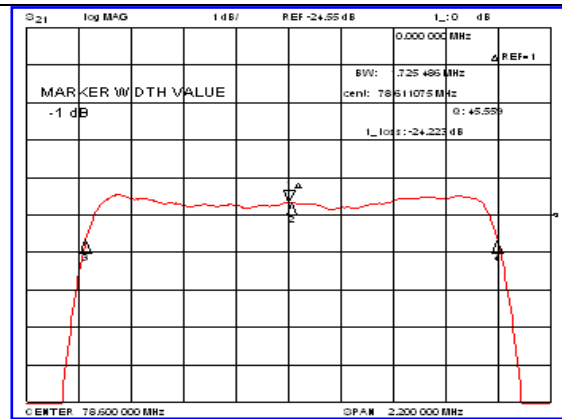
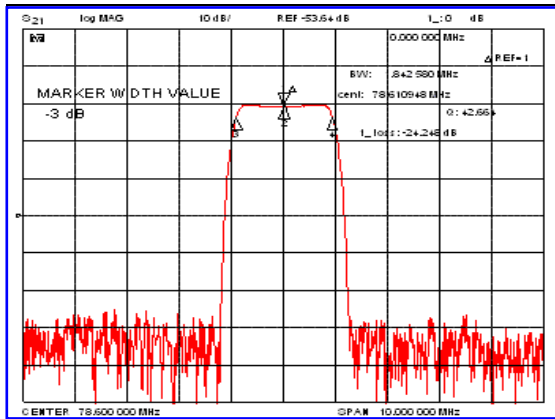


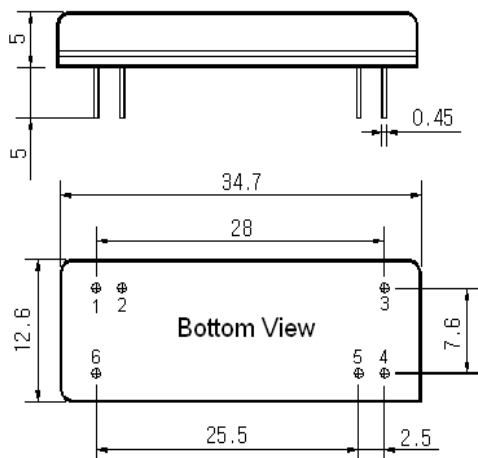
Typical Performance



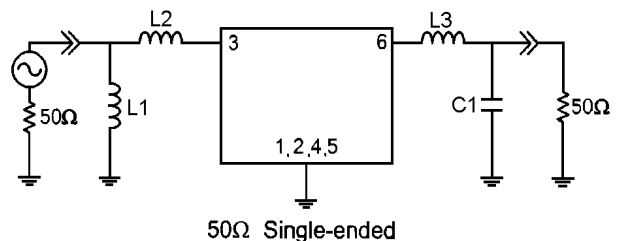
Specification

Parameter	Unit	Min.	Typ.	Max.
Center Frequency	MHz	78.52	78.60	78.68
Insertion Loss	dB	-	24.24	26.00
1dB Bandwidth	MHz	-	1.72	-
3dB Bandwidth	MHz	1.75	1.84	-
40dB Bandwidth	MHz	-	2.37	2.50
Passband Ripple	dB	-	0.45	1.00
Group Delay Variation	nsec	-	120	200
Absolute Delay	usec	-	4.29	-
Ultimate Attenuation	dB	50	55	-
Substrate Material	-	Quartz		
Temperature Coefficient	ppm/°C	-0.03		

Package Dimension



Matching Configuration



L1=68nH, L2=27nH, L3=120nH C1=82pF
 Source / Load Impedance = 50Ω
 Ambient Temperature = 25°C

Rev.0 080924

