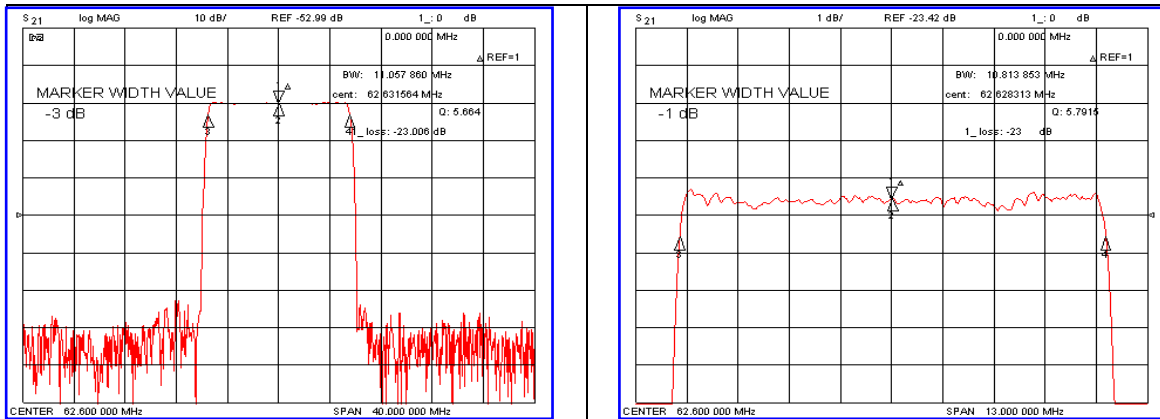


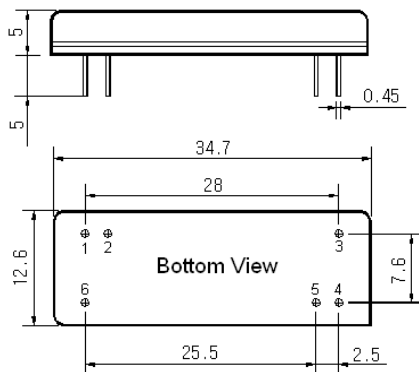
### Typical Performance



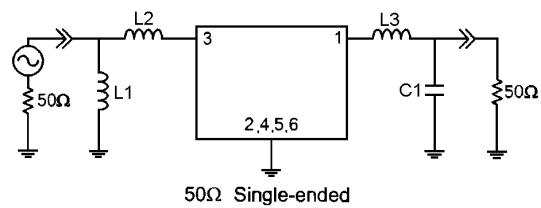
### Specification

Parameter	Unit	Min.	Typ.	Max.
Center Frequency	MHz	62.52	62.60	62.68
Insertion Loss	dB	-	23.00	25.00
1dB Bandwidth	MHz	10.72	10.81	-
40dB Bandwidth	MHz	-	12.06	12.20
<b>Relative Attenuation</b>				
Passband edge $\pm 400$ KHz	dB	10	15	-
Passband edge $\pm 600$ KHz	dB	20	35	-
Passband edge $\pm 1.0$ MHz	dB	25	45	-
Passband edge $\pm 5.0$ MHz	dB	35	45	-
Passband Ripple( $F_c \pm 5.6$ MHz)	dB	-	0.58	1.00
Group Delay Variation	nsec	-	75	150
Absolute Delay	usec	-	2.94	-
Substrate Material	-	128-LiNbO <sub>3</sub>		
Temperature Coefficient	ppm/ $^{\circ}$ C	-72		

### Package Dimension



### Matching Configuration



L1=180nH, L2=100nH, L3=27nH, C1=27pF  
 Source / Load Impedance = 50Ω  
 Ambient Temperature = 25°C

Rev.0 090714

