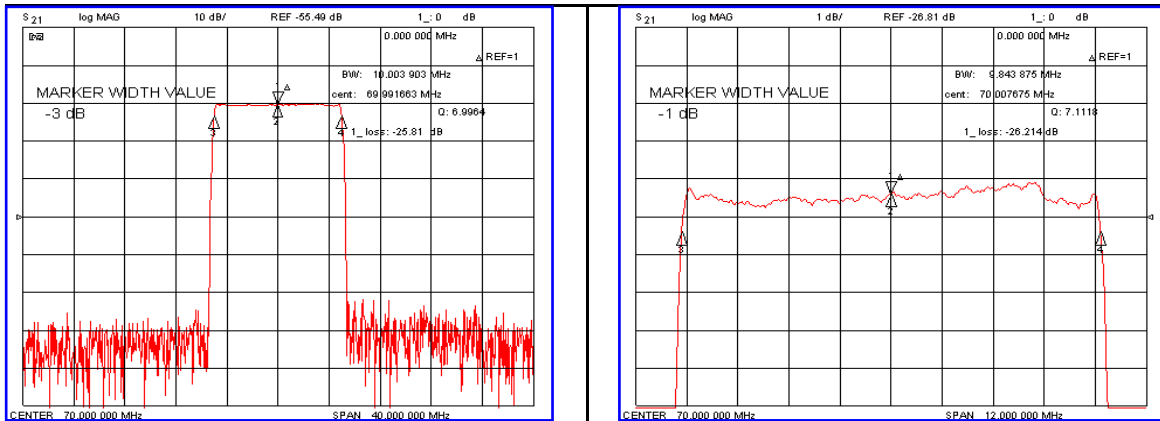


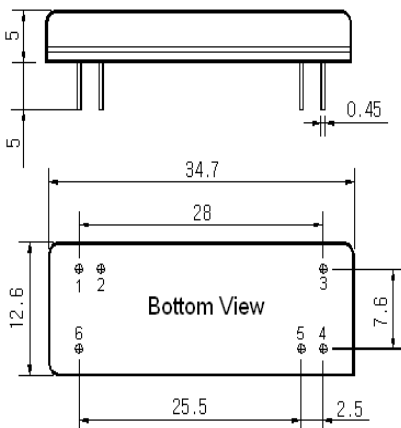
Typical Performance



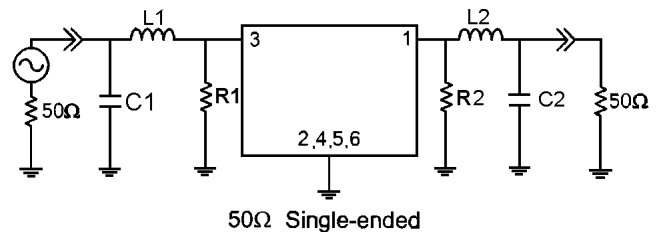
Specification

Parameter	Unit	Min.	Typ.	Max.
Center Frequency (Fc)	MHz	69.92	70.00	70.08
Insertion Loss	dB	-	25.81	27.50
1dB Bandwidth	MHz	9.75	9.84	-
3dB Bandwidth	MHz	-	10.00	-
40dB Bandwidth	MHz	-	10.66	10.75
Return loss 1dB Bandwidth	dB	6	8	-
Passband Ripple	dB	-	0.68	1.00
Group Delay Variation(Fc±4.8MHz)	nsec	-	70	180
Absolute Delay	µsec	-	4.09	-
Ultimate Attenuation	dB	50	53	-
Substrate Material	-	128-LiNbO ₃		
Temperature Coefficient	ppm/°C	-72		

Package Dimension



Matching Configuration



L1=100nH, L2=82nH, C1=27pF, C2=12pF
 R1=91 Ω, R2=160 Ω
 Source / Load Impedance = 50Ω
 Ambient Temperature = 25°C

Rev0. 090729

