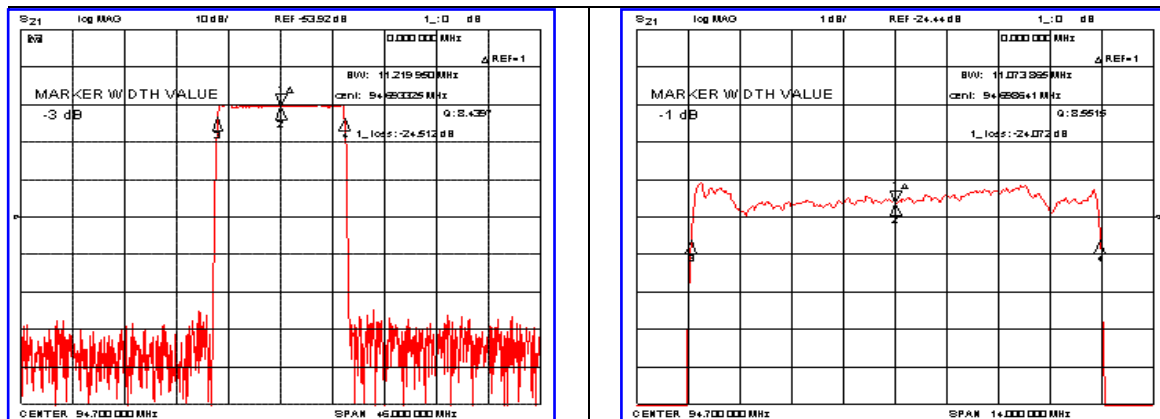


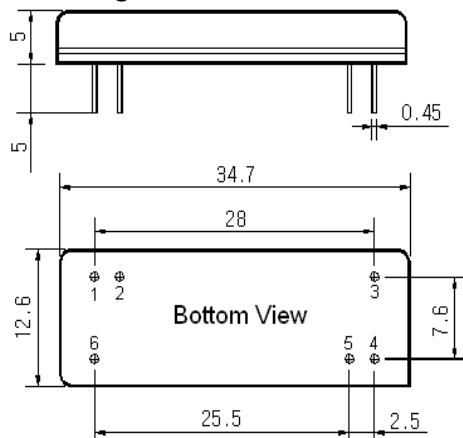
### Typical Performance



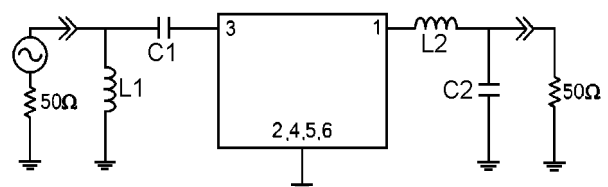
### Specification

Parameter	Unit	Min.	Typ.	Max.
Center Frequency	MHz	94.62	94.70	94.78
Insertion Loss	dB	-	24.51	26.00
1dB Bandwidth	MHz	11.03	11.07	-
3dB Bandwidth	MHz	-	11.21	-
20dB Bandwidth	MHz	-	11.65	11.70
40dB Bandwidth	MHz	-	11.85	-
Passband Ripple	dB	-	0.85	1.00
Group Delay Variation	nsec	-	80	120
Absolute Delay	μsec	-	4.07	-
Ultimate Attenuation	dB	50	55	-
Substrate Material	-	128-LiNbO <sub>3</sub>		
Temperature Coefficient	ppm/°C	-72		

### Package Dimension



### Matching Configuration



50Ω Single-ended

L1=100, L2=18nH, C1=120pF, C2=22pF  
 Source / Load Impedance = 50Ω  
 Ambient Temperature = 25°C

Rev0. 080502

