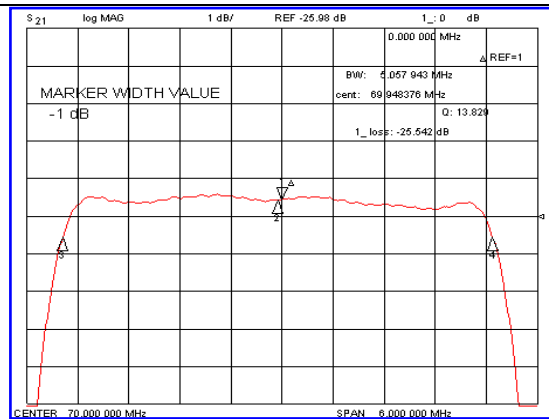
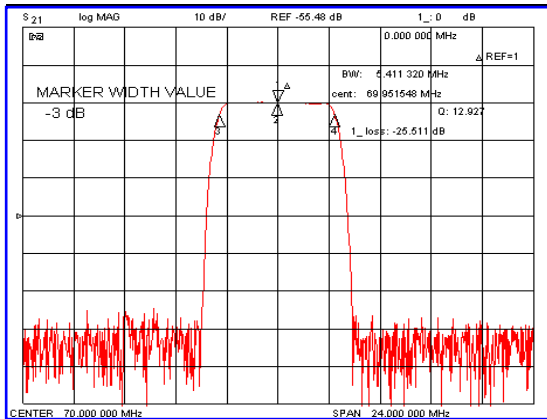


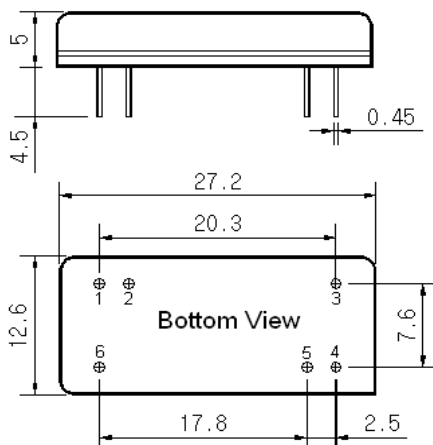
Typical Performance



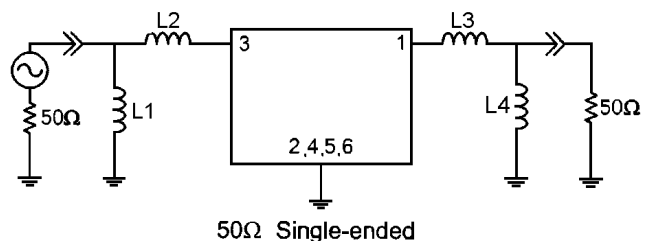
Specification

Parameter	Unit	Min.	Typ.	Max.
Center Frequency	MHz	69.92	70.00	70.08
Insertion Loss	dB	-	25.51	27.00
1dB Bandwidth	MHz	4.98	5.05	-
3dB Bandwidth	MHz	-	5.41	-
40dB Bandwidth	MHz	-	6.82	6.90
Passband Ripple	dB	-	0.45	1.00
Group Delay Variation	nsec	-	50	100
Absolute Delay	µsec	-	2.99	-
Ultimate Attenuation	dB	50	55	-
Substrate Material	-	112-LiTaO ₃		
Temperature Coefficient	ppm/°C	-20		

Package Dimension



Matching Configuration



L1=L2=100nH, L3=56nH, L4=82nH
 Source / Load Impedance = 50Ω
 Ambient Temperature = 25°C

Rev.0 090723

