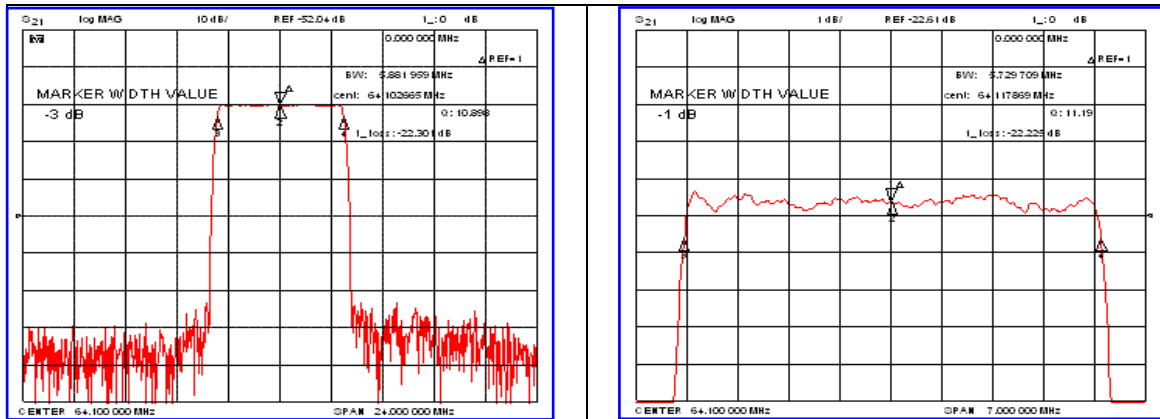


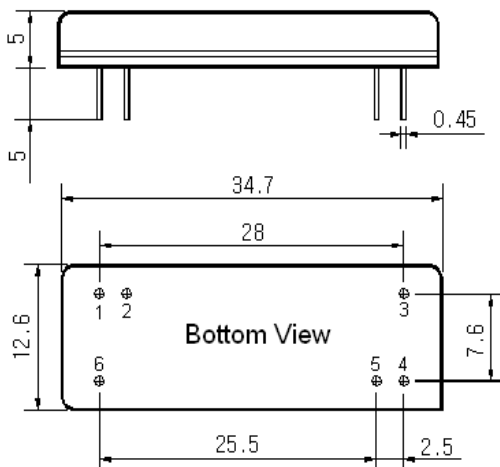
### Typical Performance



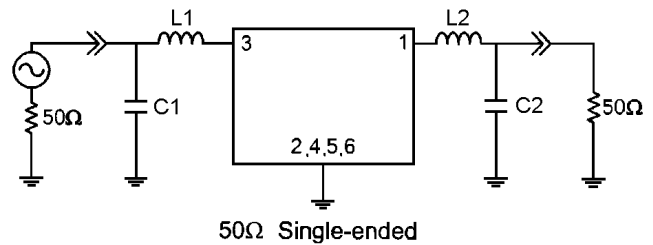
### Specification

Parameter	Unit	Min.	Typ.	Max.
Center Frequency	MHz	64.02	64.10	64.18
Insertion Loss	dB	-	22.30	25.00
1dB Bandwidth	MHz	-	5.72	-
3dB Bandwidth	MHz	5.80	5.88	-
20dB Bandwidth	MHz	-	6.32	6.40
40dB Bandwidth	MHz	-	6.53	-
Passband Ripple	dB	-	0.60	1.00
Absolute Delay	μsec	-	4.45	-
Ultimate Attenuation	dB	50	53	-
Substrate Material	-	YZ-LiNbO <sub>3</sub>		
Temperature Coefficient	ppm/°C	-94		

### Package Dimension



### Matching Configuration



L1=56nH, L2=56nH, C1=10pF, C2=10pF  
 Source / Load Impedance = 50Ω  
 Ambient Temperature = 25°C

Rev.0 080729

