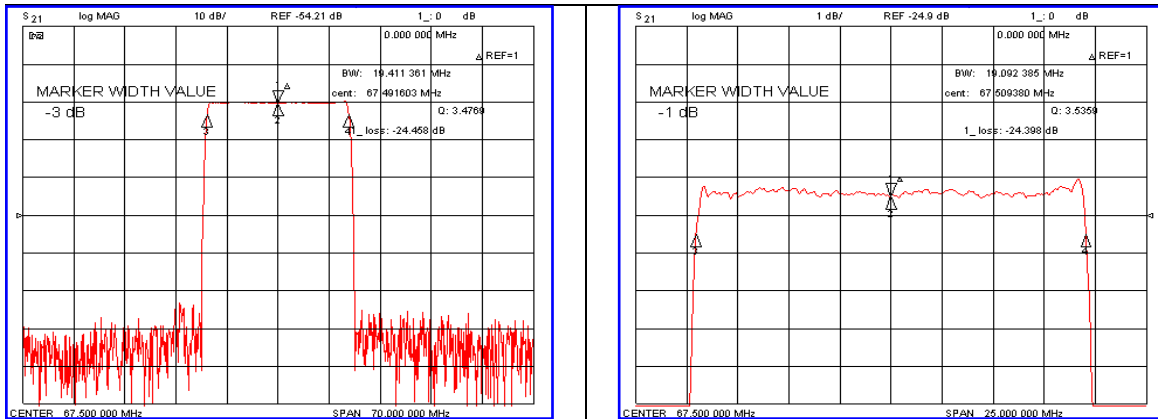


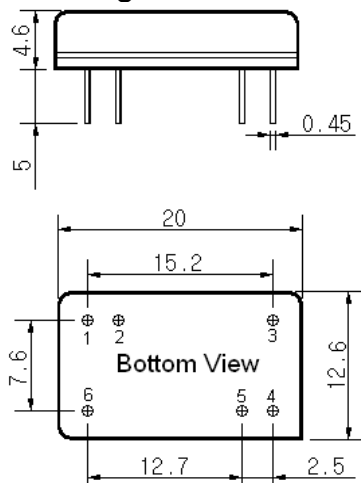
Typical Performance



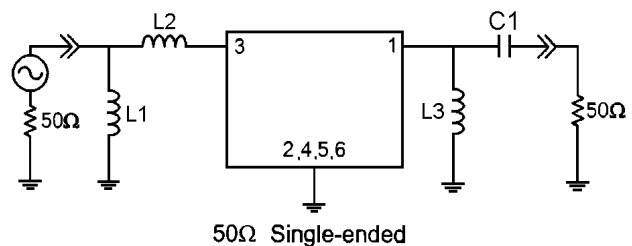
Specification

Parameter	Unit	Min.	Typ.	Max.
Center Frequency	MHz	67.42	67.50	67.58
Insertion Loss	dB	-	24.50	26.00
1dB Bandwidth	MHz	-	19.09	-
3dB Bandwidth	MHz	19.30	19.41	-
40dB Bandwidth	MHz	-	20.80	21.00
Passband Ripple	dB	-	0.55	1.00
Group Delay Variation	nsec	-	30	50
Absolute Delay	μsec	-	2.25	-
Ultimate Attenuation	dB	50	55	-
Substrate Material	-	128 - LiNbO ₃		
Temperature Coefficient	ppm/°C	-72		

Package Dimension



Matching Configuration



L1=150nH, L2=120nH, L3=150nH, C1=43pF
 Source / Load Impedance = 50Ω
 Ambient Temperature = 25°C

Rev0. 090417

