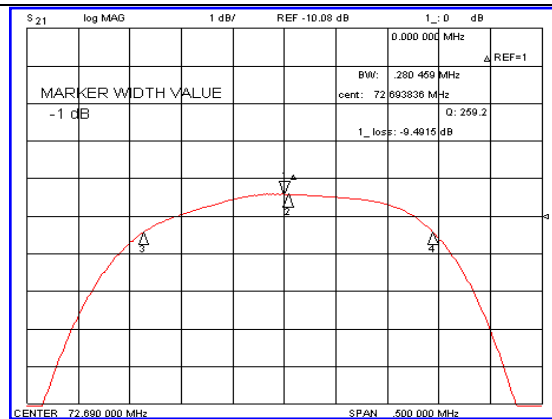
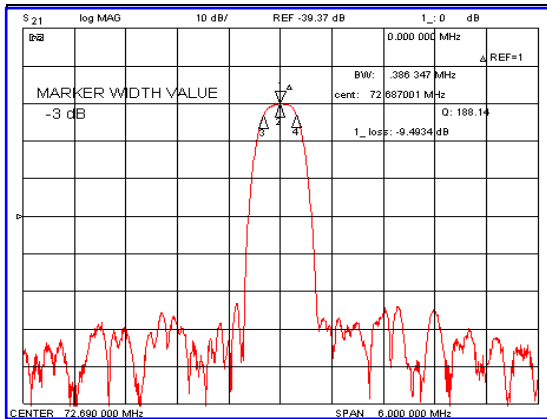


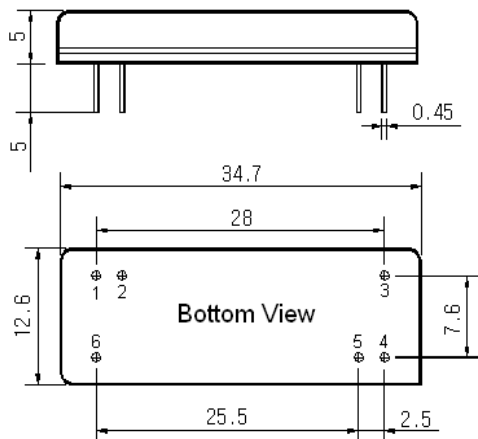
Typical Performance



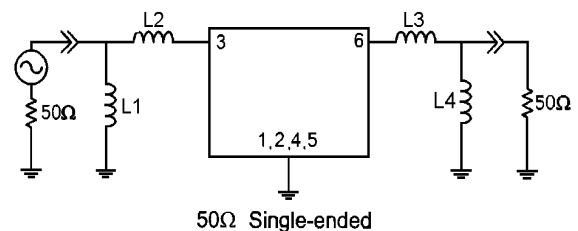
Specification

Parameter	Unit	Min.	Typ.	Max.
Center Frequency	MHz	72.61	72.69	72.77
Insertion Loss	dB	-	9.50	11.00
1dB Bandwidth	MHz	0.22	0.28	-
3dB Bandwidth	MHz	-	0.38	-
40dB Bandwidth	MHz	-	0.78	0.84
50dB Bandwidth	MHz	-	0.82	-
Passband Ripple	dB	-	0.38	1.00
Group Delay Variation	nsec	-	250	350
Absolute Delay	usec	-	4.49	-
Ultimate Attenuation	dB	48	53	-
Substrate Material	-	Quartz		
Temperature Coefficient	ppm/°C	-0.03		

Package Dimension



Matching Configuration



L1=47nH, L2=47nH, L3=56nH, L4=47nH

Source / Load Impedance = 50Ω

Ambient Temperature = 25°C

Rev.0 091104

