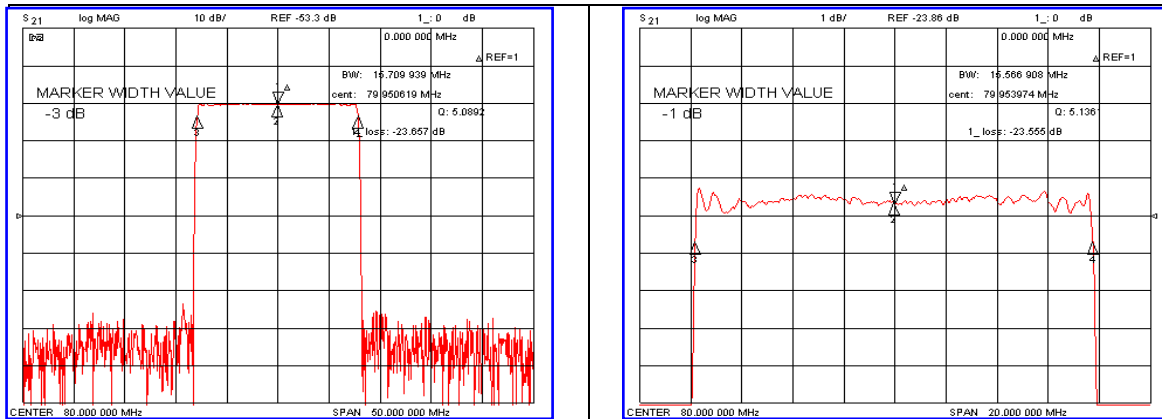


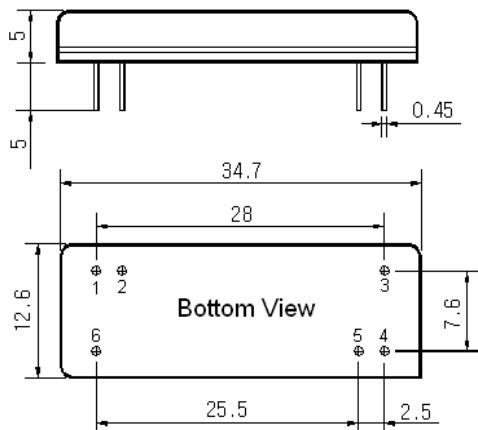
Typical Performance



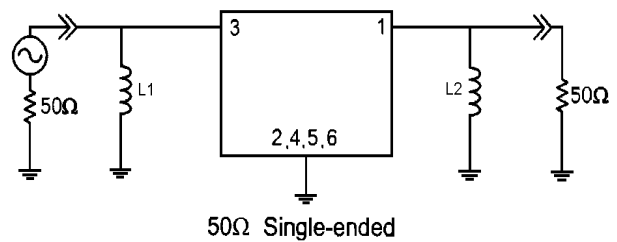
Specification

Parameter	Unit	Min.	Typ.	Max.
Center Frequency	MHz	79.92	80.00	80.08
Insertion Loss	dB	-	23.80	25.50
1dB Bandwidth	MHz	15.50	15.56	-
3dB Bandwidth	MHz	-	15.70	-
20dB Bandwidth	MHz	-	16.16	16.25
40dB Bandwidth	MHz	-	16.38	-
Passband Ripple	dB	-	0.65	1.00
Group Delay Variation	nsec	-	60	120
Absolute Delay	usec	-	3.97	-
Ultimate Attenuation	dB	48	52	-
Substrate Material	-	128-LiNbO ₃		
Temperature Coefficient	ppm/°C	-72		

Package Dimension



Matching Configuration



L1=150nH, L2=150nH
 Source / Load Impedance = 50Ω
 Ambient Temperature = 25°C

Rev.0 091019

