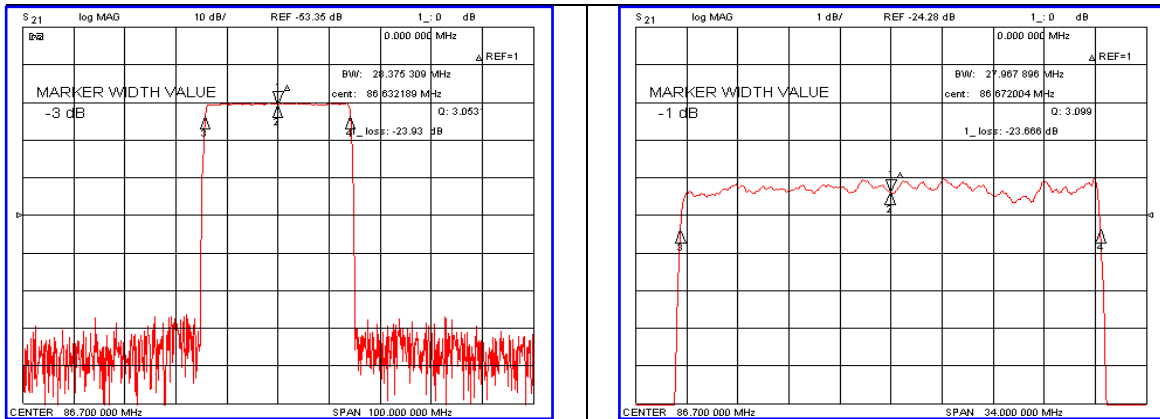


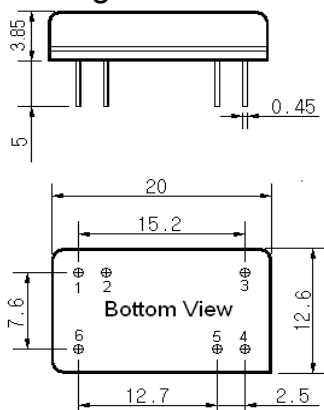
Typical Performance



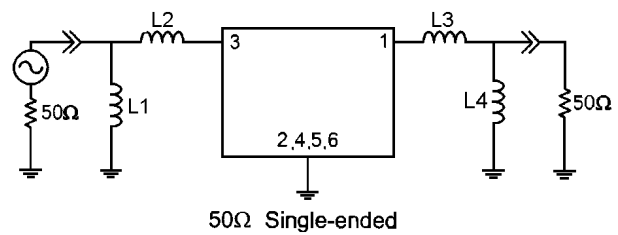
Specification

Parameter	Unit	Min.	Typ.	Max.
Center Frequency	MHz	-	86.70	-
Insertion Loss	dB	-	24.00	26.00
1dB Bandwidth	MHz	27.80	27.96	-
3dB Bandwidth	MHz	-	28.37	-
40dB Bandwidth	MHz	-	30.05	30.20
Relative Attenuation Fc ± 15.25MHz	dB	-	55	-
Passband Ripple(Fc± 13.75MHz)	dB	-	0.70	1.00
Group Delay Variation	nsec	-	30	50
Absolute Delay	µsec	-	1.87	-
Ultimate Attenuation	dB	50	55	-
Substrate Material	-	128- LiNbO ₃		
Temperature Coefficient	ppm/°C	-72		

Package Dimension



Matching Configuration



L1=120nH, L2=68nH, L3=82nH, L4=180nH
 Source / Load Impedance = 50Ω
 Ambient Temperature = 25°C

Rev0. 090904

