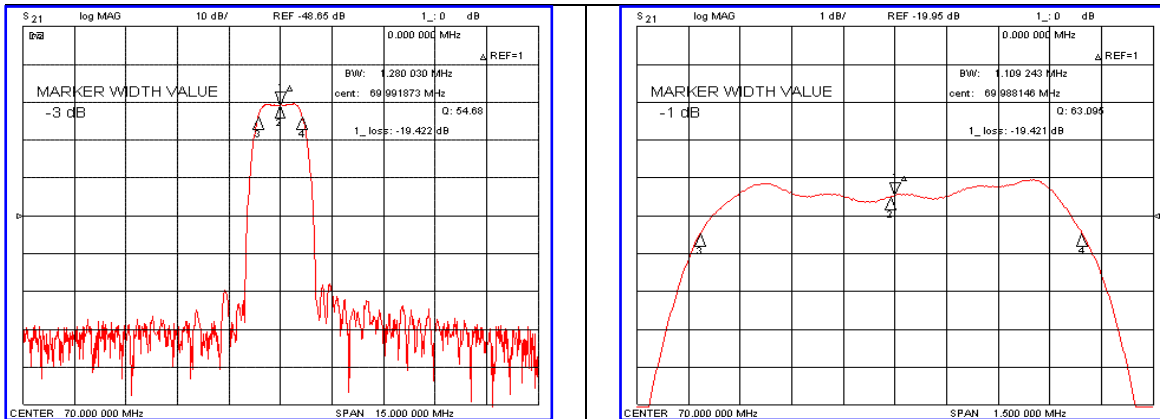


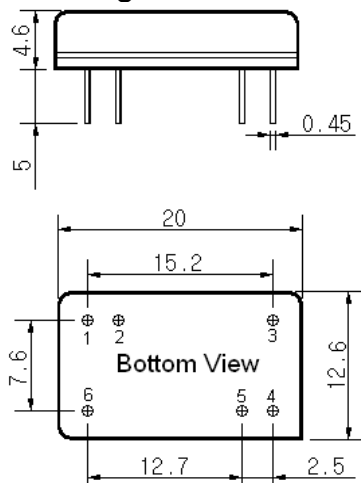
### Typical Performance



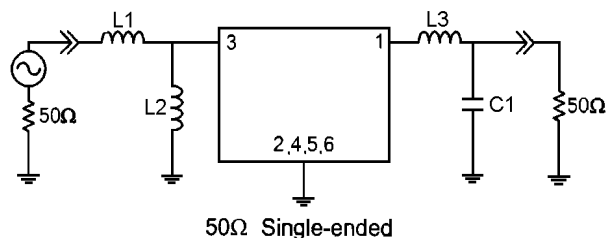
### Specification

Parameter	Unit	Min.	Typ.	Max.
Center Frequency	MHz	69.92	70.00	70.08
Insertion Loss	dB	-	19.50	21.50
1dB Bandwidth	MHz	-	1.10	-
3dB Bandwidth	MHz	1.23	1.28	-
40dB Bandwidth	MHz	-	2.00	2.30
Passband Ripple	dB	-	0.60	1.00
Group Delay Variation	nsec	-	200	300
Absolute Delay	μsec	-	2.54	-
Ultimate Attenuation	dB	45	50	-
Substrate Material	-	Quartz		
Temperature Coefficient	ppm/°C	-0.03		

### Package Dimension



### Matching Configuration



L1=470nH, L2=270nH, L3=270nH, C1=51pF  
 Source / Load Impedance = 50Ω  
 Ambient Temperature = 25°C

Rev0. 091216

