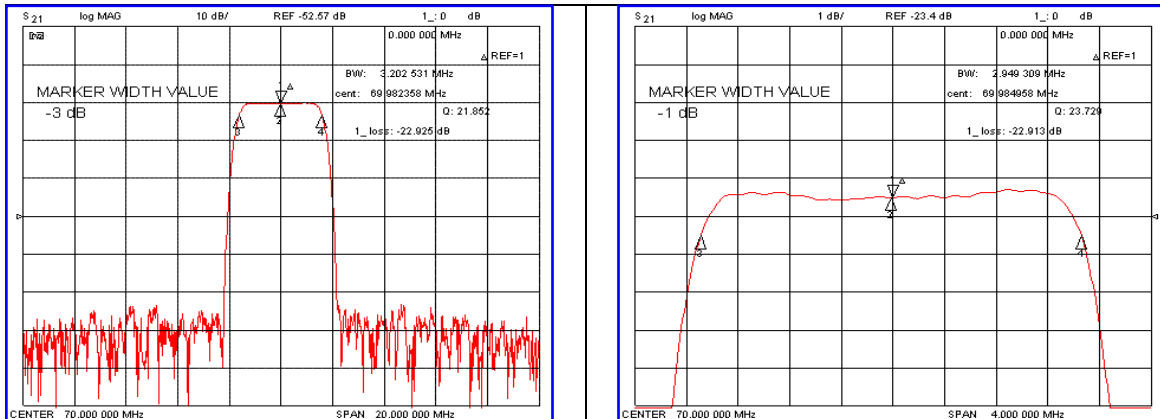


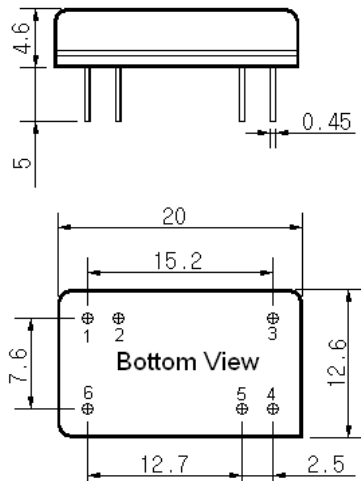
### Typical Performance



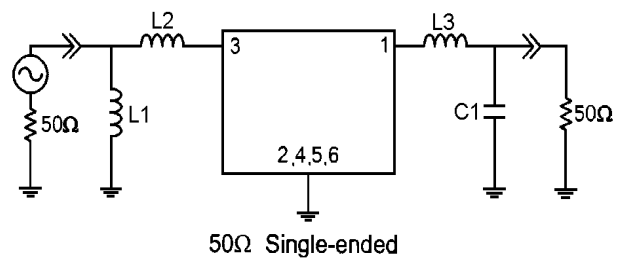
### Specification

| Parameter               | Unit   | Min.   | Typ.  | Max.  |
|-------------------------|--------|--------|-------|-------|
| Center Frequency        | MHz    | 69.92  | 70.00 | 70.08 |
| Insertion Loss          | dB     | -      | 22.92 | -     |
| 1dB Bandwidth           | MHz    | 2.80   | 2.94  | -     |
| 3dB Bandwidth           | MHz    | 3.00   | 3.20  | -     |
| 40dB Bandwidth          | MHz    | -      | 4.30  | 4.60  |
| Passband Ripple         | dB     | -      | 0.40  | 1.00  |
| Group Delay Variation   | nsec   | -      | 55    | 100   |
| Absolute Delay          | µsec   | -      | 2.55  | -     |
| Ultimate Attenuation    | dB     | 50     | 53    | -     |
| Substrate Material      | -      | Quartz |       |       |
| Temperature Coefficient | ppm/°C | -0.03  |       |       |

### Package Dimension



### Matching Configuration



L1=82nH, L2=180nH, L3=352nH, C1=68pF  
 Source / Load Impedance = 50Ω  
 Ambient Temperature = 25°C

Rev0. 091211

