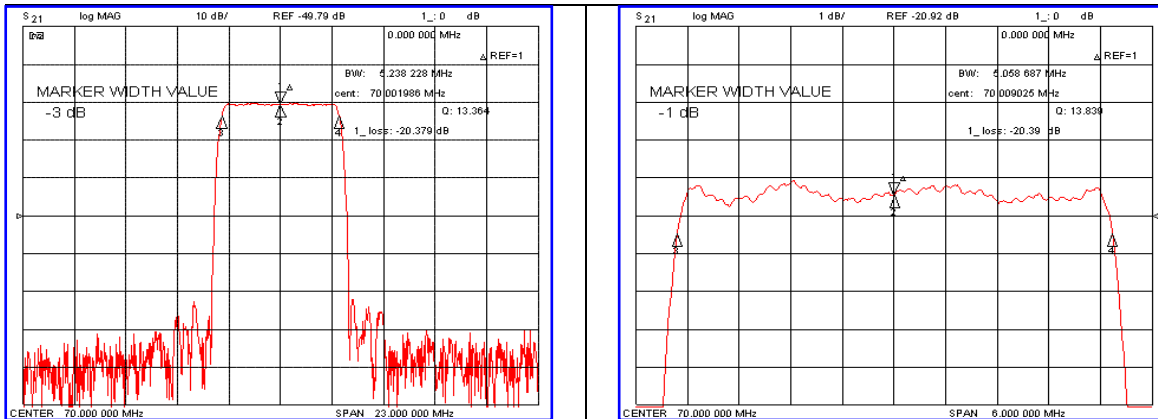


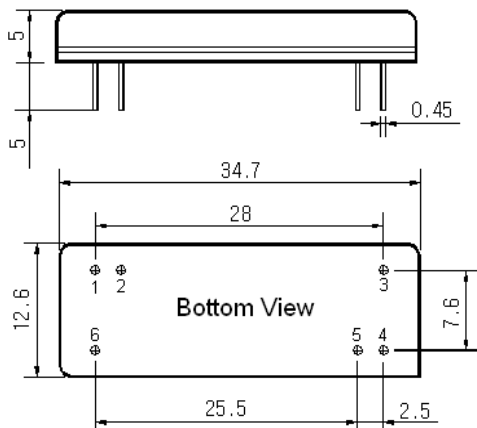
Typical Performance



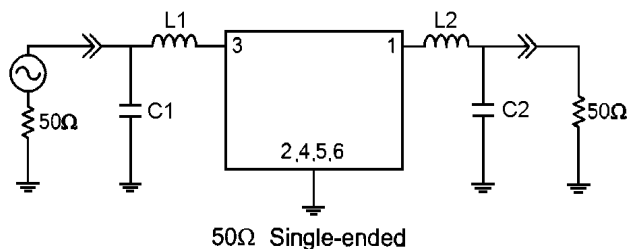
Specification

Parameter	Unit	Min.	Typ.	Max.
Center Frequency	MHz	69.92	70.00	70.08
Insertion Loss	dB	-	20.50	24.00
1dB Bandwidth	MHz	4.90	5.05	-
3dB Bandwidth	MHz	-	5.23	-
33dB Bandwidth	MHz	-	5.95	-
40dB Bandwidth	MHz	-	6.01	6.15
Passband Ripple	dB	-	0.68	1.00
Group Delay Variation	nsec	-	168	250
Absolute Delay	usec	-	3.65	-
Ultimate Attenuation	dB	48	52	-
Substrate Material	-	YZ-LiNbO ₃		
Temperature Coefficient	ppm/°C	-94		

Package Dimension



Matching Configuration



L1=39nH, L2=39nH, C1=10pF, C2=10pF
 Source / Load Impedance = 50Ω
 Ambient Temperature = 25°C

Rev.0 091216

