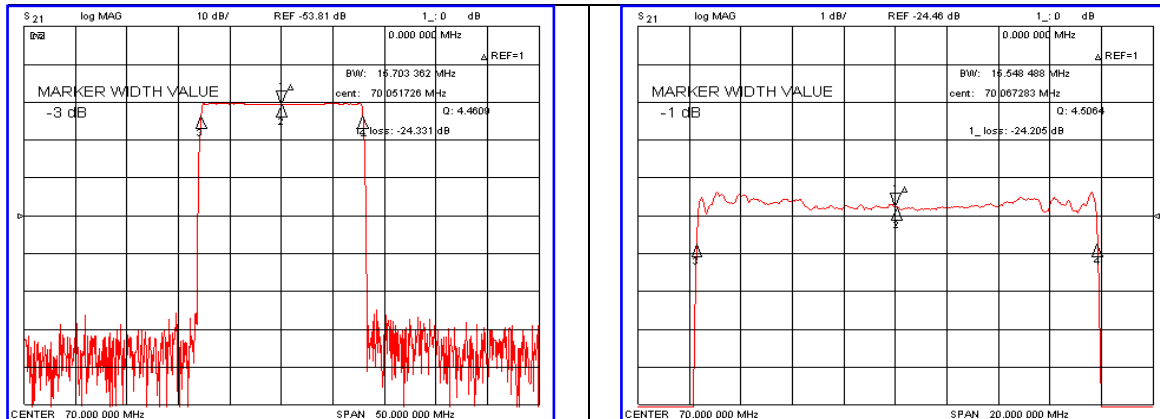


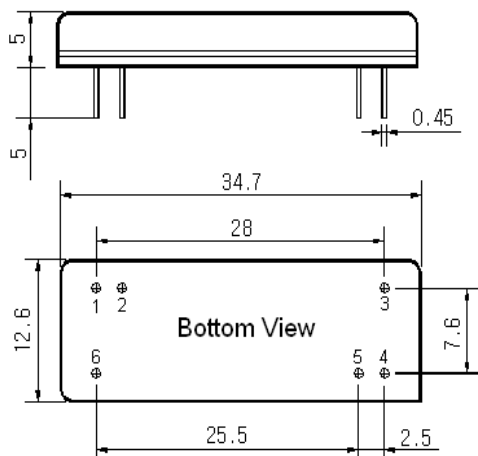
Typical Performance



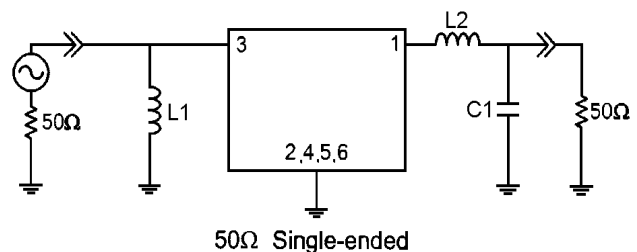
Specification

Parameter	Unit	Min.	Typ.	Max.
Center Frequency	MHz	-	70.00	-
Insertion Loss	dB	-	24.50	26.00
1dB Bandwidth	MHz	15.45	15.54	-
3dB Bandwidth	MHz	-	15.70	-
50dB Bandwidth	MHz	-	16.46	16.60
Passband Ripple($F_c \pm 7.47$ MHz)	dB	-	0.60	1.00
Group Delay Variation($F_c \pm 7.47$ MHz)	nsec	-	70	150
Absolute Delay	usec	-	3.91	-
Ultimate Attenuation	dB	50	55	-
Substrate Material	-	128-LiNbO ₃		
Temperature Coefficient	ppm/°C	-72		

Package Dimension



Matching Configuration



L1=180nH, L2=150nH, C1=22pF
 Source / Load Impedance = 50Ω
 Ambient Temperature = 25°C

Rev.1 091208

