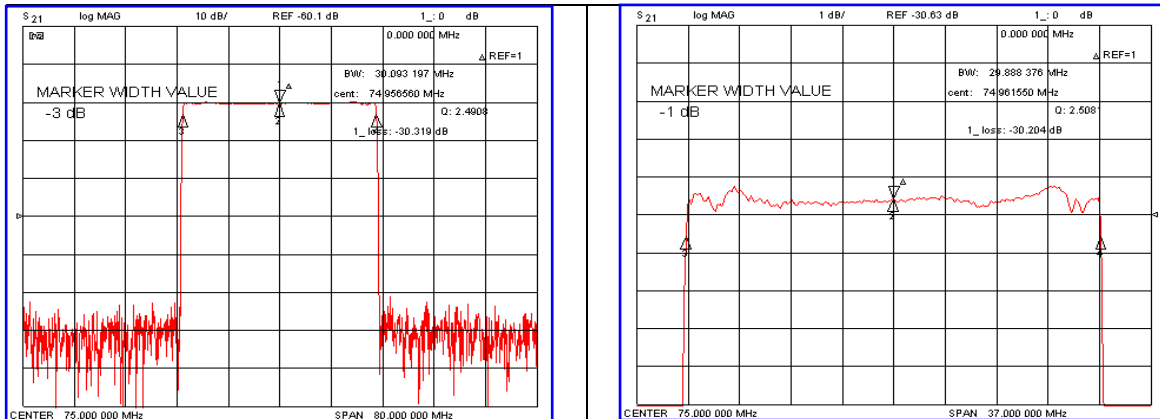


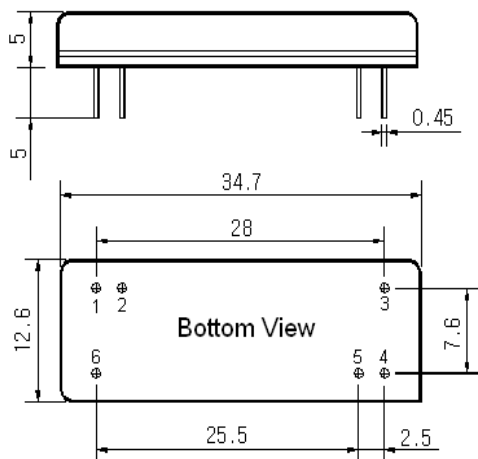
Typical Performance



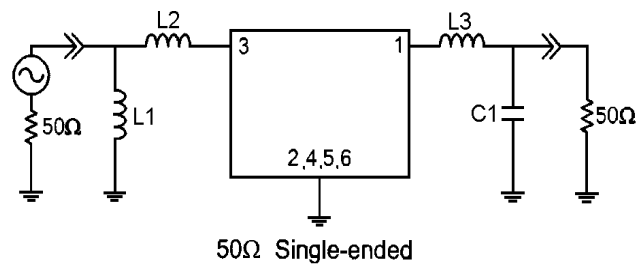
Specification

Parameter	Unit	Min.	Typ.	Max.
Center Frequency	MHz	-	75.00	-
Insertion Loss	dB	-	30.31	32.00
1dB Bandwidth	MHz	29.80	29.88	-
3dB Bandwidth	MHz	-	30.09	-
50dB Bandwidth	MHz	-	30.96	31.10
Passband Ripple($F_c \pm 14.32\text{MHz}$)	dB	-	0.75	1.00
Group Delay Variation($F_c \pm 14.32\text{MHz}$)	nsec	-	30	50
Absolute Delay	usec	-	3.80	-
Ultimate Attenuation	dB	48	50	-
Substrate Material	-	128-LiNbO ₃		
Temperature Coefficient	ppm/°C	-72		

Package Dimension



Matching Configuration



L1=180nH, L2=33nH, L3=180nH C1=30pF
 Source / Load Impedance = 50Ω
 Ambient Temperature = 25°C

Rev.1 091208

