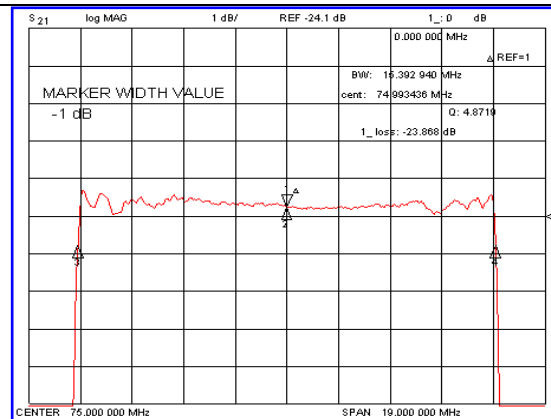
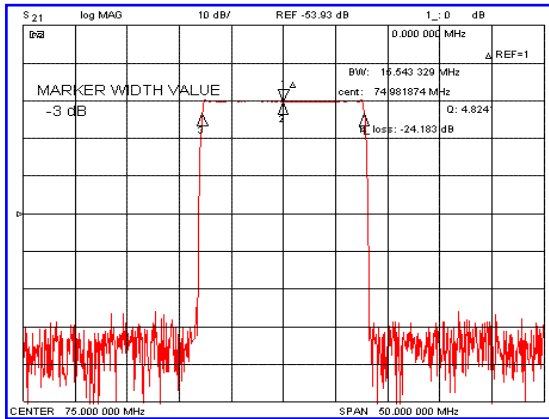


Typical Performance

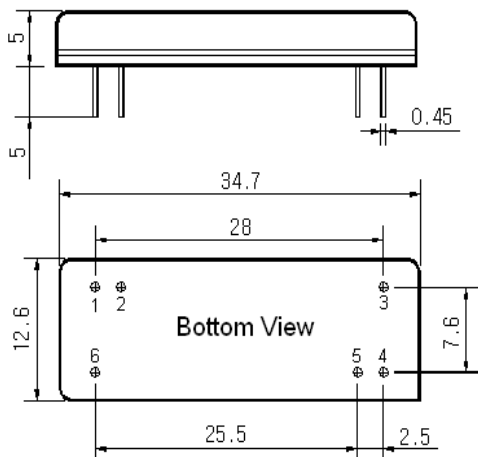


Specification

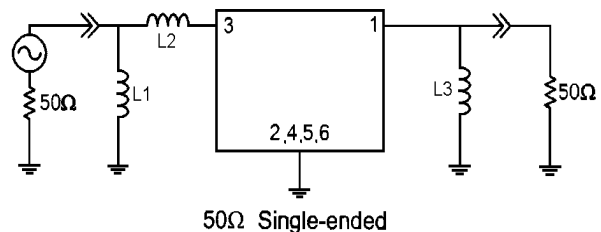
Parameter	Unit	Min.	Typ.	Max.
Center Frequency	MHz	-	75.00	-
Insertion Loss	dB	-	24.00	26.00
1dB Bandwidth	MHz	15.20	15.39	-
3dB Bandwidth	MHz	-	15.54	-
50dB Bandwidth	MHz	-	16.41	16.50
Passband Ripple(Fc ± 7.47MHz)	dB	-	0.55	1.00
Group Delay Variation(Fc ± 7.47MHz)	Nsec	-	60	120
Absolute Delay	usec	-	3.61	-
Ultimate Attenuation(smoothing 1%)	dB	55	60	-
Substrate Material	-	128-LiNbO ₃		
Temperature Coefficient	ppm/°C	-72		

측정기 설정 - Input Power +10dBm, Number of point 801, Smoothing 1%

Package Dimension



Matching Configuration



L1=220nH, L2=27nH, L3=220nH
Source / Load Impedance = 50Ω
Ambient Temperature = 25°C

Rev.0 100304

