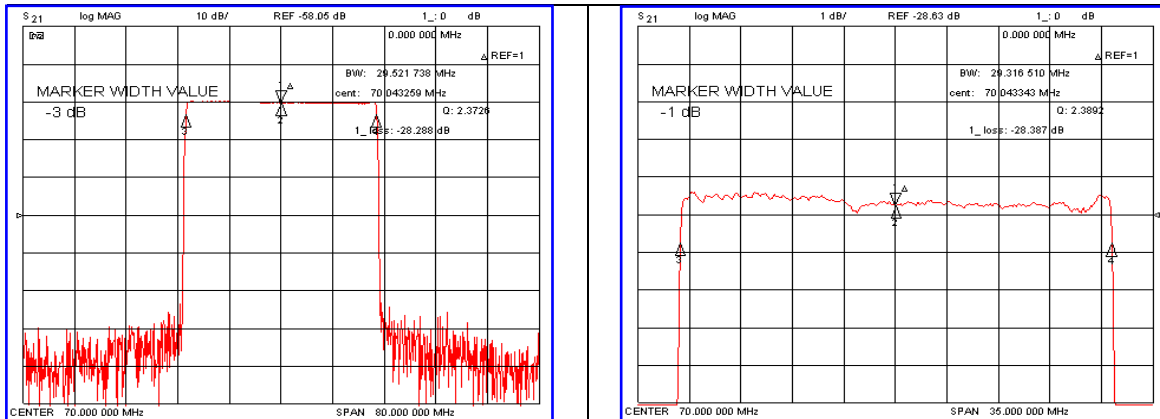


Typical Performance

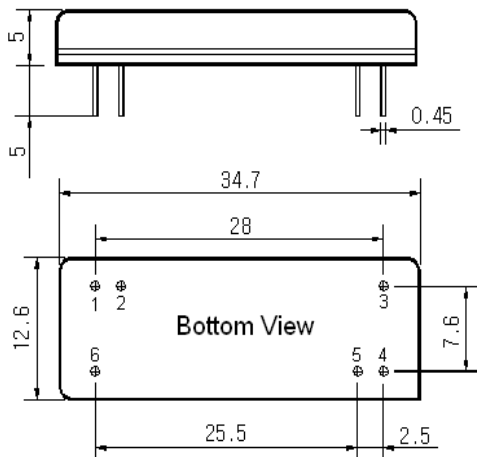


Specification

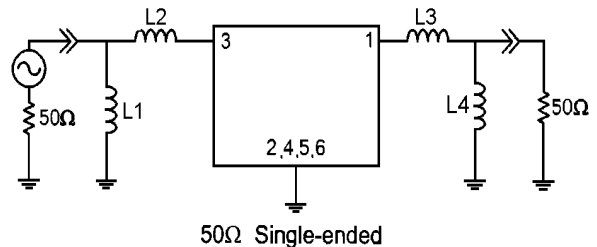
Parameter	Unit	Min.	Typ.	Max.
Center Frequency	MHz	-	70.00	-
Insertion Loss	dB	-	28.50	30.00
1dB Bandwidth	MHz	29.20	29.31	-
3dB Bandwidth	MHz	-	29.52	-
50dB Bandwidth	MHz	-	30.48	30.50
Passband Ripple($f_o \pm 14.22\text{MHz}$)	dB	-	0.60	1.20
Group Delay Variation($f_o \pm 14.22\text{MHz}$)	nsec	-	29	-
Absolute Delay	usec	-	3.51	-
Ultimate Attenuation(smoothing 1%)	dB	54	60	-
Substrate Material	-	128-LiNbO ₃		
Temperature Coefficient	ppm/°C	-72		

계측기 설정 - Input Power +10dBm, Number of point 801, Smoothing 1%

Package Dimension



Matching Configuration



L1=220nH, L2=100nH, L3=100nH, L4=180nH
Source / Load Impedance = 50Ω
Ambient Temperature = 25°C

Rev.0 100304

