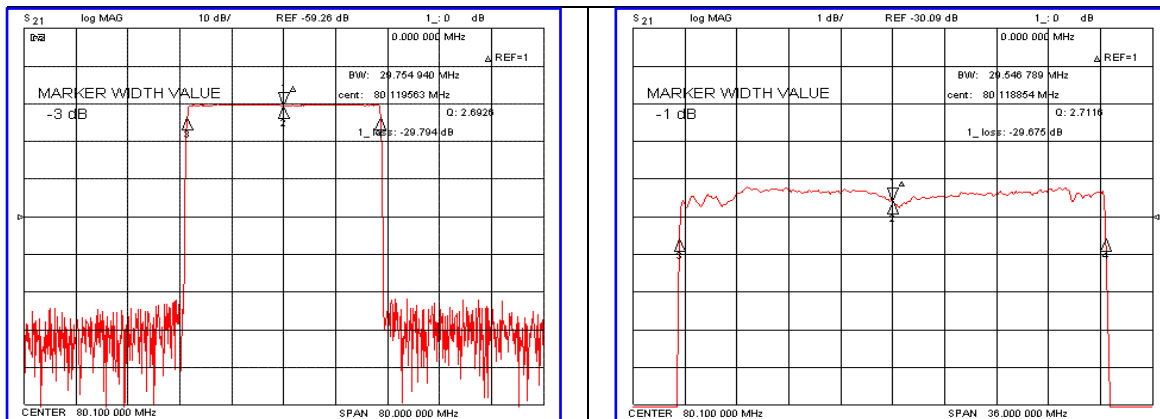


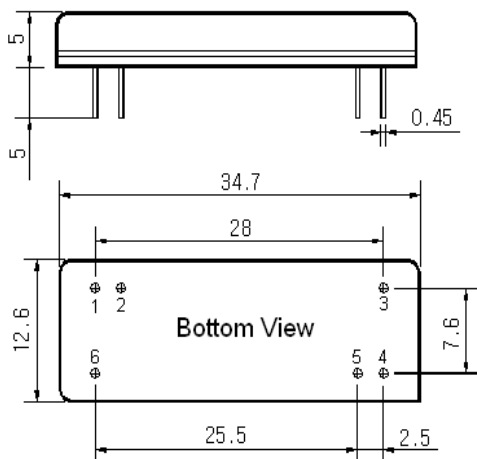
Typical Performance



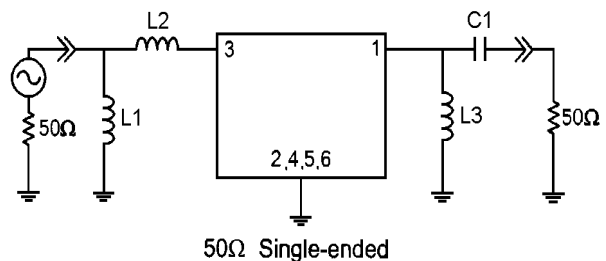
Specification

Parameter	Unit	Min.	Typ.	Max.
Center Frequency	MHz	-	80.10	-
Insertion Loss	dB	-	30.00	32.00
1dB Bandwidth	MHz	29.40	29.54	-
3dB Bandwidth	MHz	-	29.75	-
40dB Bandwidth	MHz	-	30.62	30.70
Passband Ripple($F_c \pm 14.22\text{MHz}$)	dB	-	0.65	1.00
Group Delay Variation($F_c \pm 14.22\text{MHz}$)	nsec	-	40	60
Absolute Delay	usec	-	3.36	-
Ultimate Attenuation	dB	48	52	-
Substrate Material	-	128-LiNbO ₃		
Temperature Coefficient	ppm/°C	-72		

Package Dimension



Matching Configuration



L1=120nH, L2=68nH, L3=82nH, C2=62pF
 Source / Load Impedance = 50Ω
 Ambient Temperature = 25°C

Rev.1 100429

