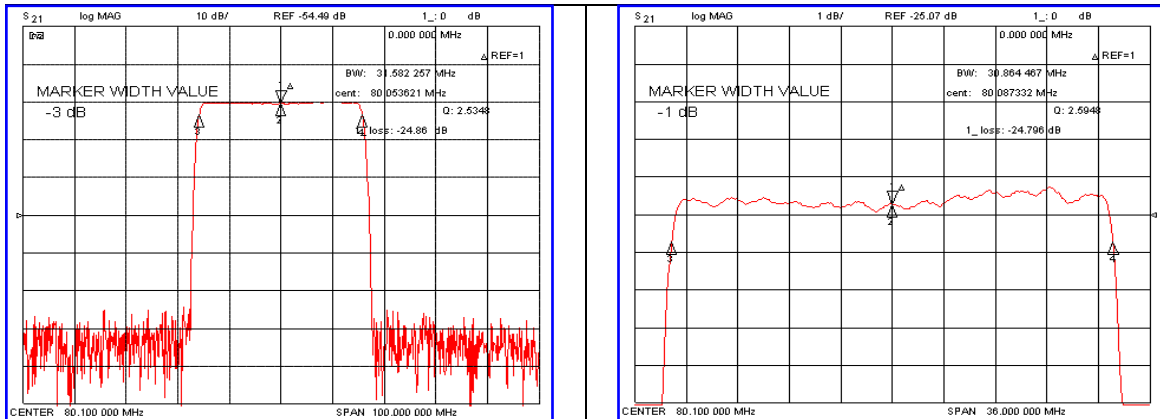


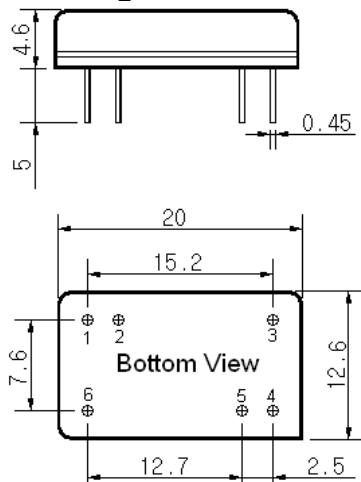
### Typical Performance



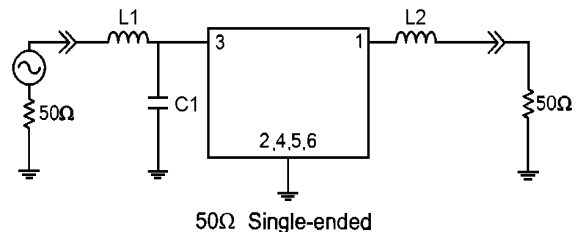
### Specification

Parameter	Unit	Min.	Typ.	Max.
Center Frequency	MHz	-	80.10	-
Insertion Loss	dB	-	25.00	26.50
1dB Bandwidth	MHz	30.70	30.86	-
3dB Bandwidth	MHz	-	31.58	-
40dB Bandwidth	MHz	-	34.60	34.80
Passband Ripple( $F_c \pm 14.42$ MHz)	dB	-	0.65	1.00
Group Delay Variation( $F_c \pm 14.42$ MHz)	nsec	-	30	50
Absolute Delay	$\mu$ sec	-	1.35	-
Ultimate Attenuation	dB	50	55	-
Substrate Material	-	128- LiNbO <sub>3</sub>		
Temperature Coefficient	ppm/ $^{\circ}$ C	-72		

### Package Dimension



### Matching Configuration



L1=150nH, L2=180nH, C1=4.3pF  
 Source / Load Impedance = 50 $\Omega$   
 Ambient Temperature = 25 $^{\circ}$ C

Rev0. 100315

