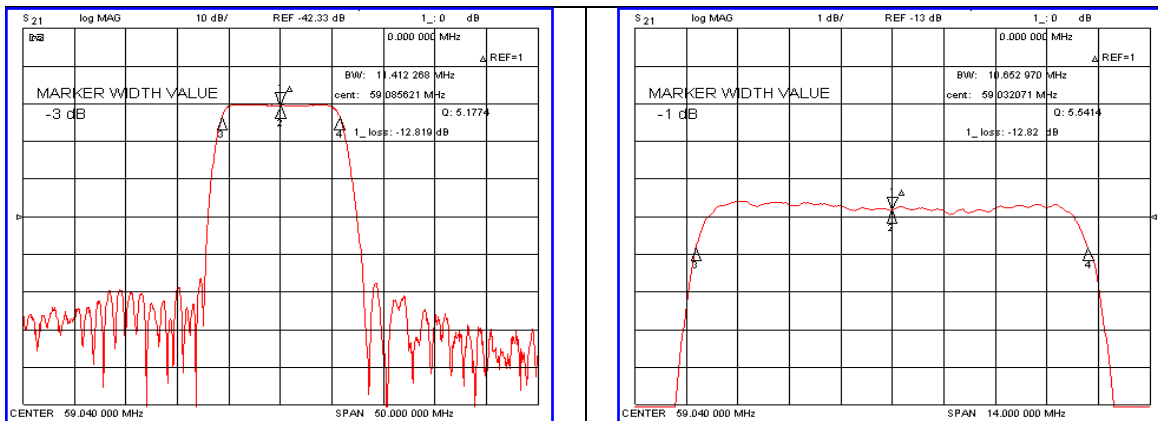


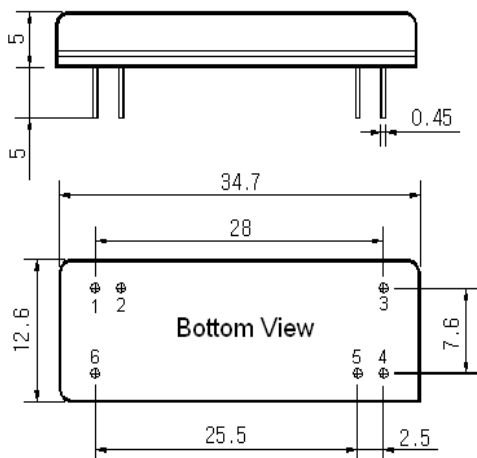
### Typical Performance



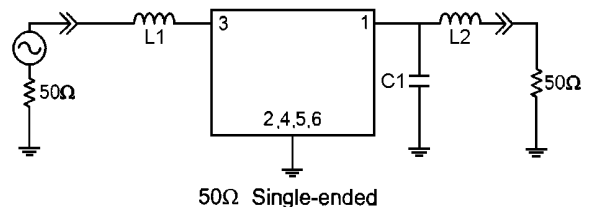
### Specification

Parameter	Unit	Min.	Typ.	Max.
Center Frequency	MHz	58.94	59.04	59.14
Insertion Loss	dB	-	12.90	15.00
1dB Bandwidth	MHz	10.40	10.65	-
3dB Bandwidth	MHz	-	11.41	-
40dB Bandwidth	MHz	-	15.12	15.50
Passband Ripple	dB	-	0.45	1.00
Group Delay Variation	nsec	-	50	100
Absolute Delay	usec	-	0.94	-
Ultimate Attenuation	dB	40	46	-
Substrate Material	-	Yz-LiNbO <sub>3</sub>		
Temperature Coefficient	ppm/°C	-94		

### Package Dimension



### Matching Configuration



L1=150nH, L2=150nH, C1=15pF  
 Source / Load Impedance = 50Ω  
 Ambient Temperature = 25°C

Rev.0 100423

