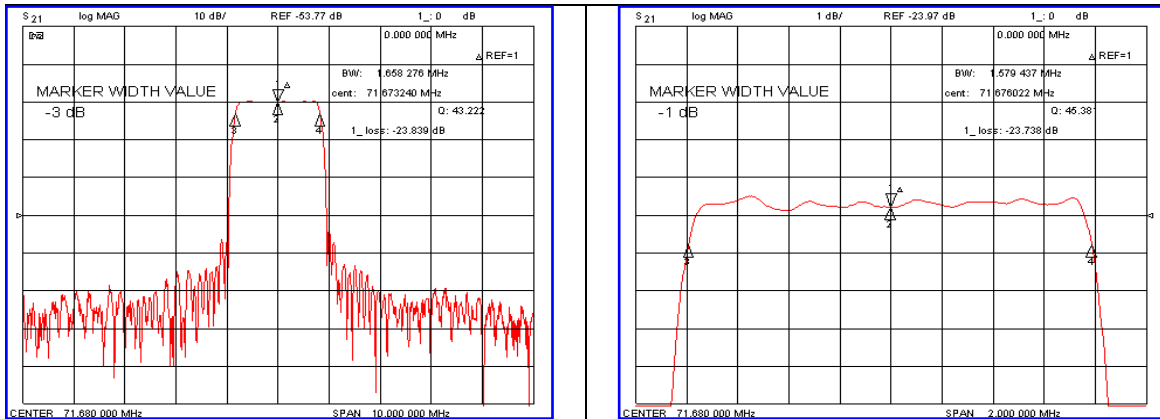


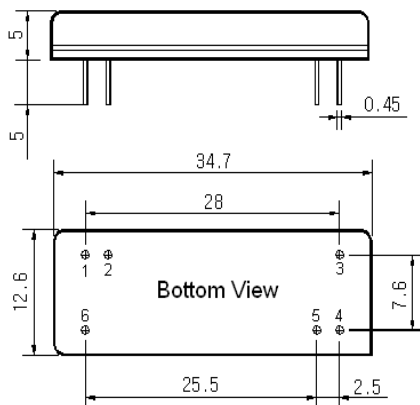
## Typical Performance



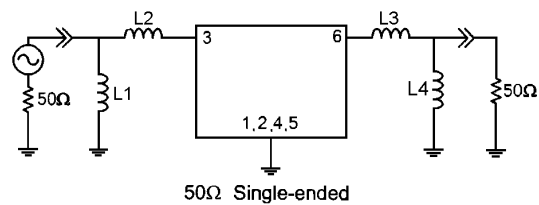
## Specification

Parameter	Unit	Min.	Typ.	Max.
<b>Center Frequency</b>	MHz	-	71.68	-
<b>Insertion Loss</b>	dB	-	24.00	26.00
<b>1dB Bandwidth</b>	MHz	1.50	1.57	-
<b>3dB Bandwidth</b>	MHz	-	1.65	-
<b>20dB Bandwidth</b>	MHz	-	1.86	1.92
<b>Relative Attenuation</b>				
Fc ± 0.96 MHz	dB	-	29	-
Fc ± 2.496 MHz	dB	-	50	-
<b>Passband Ripple(Fc± 768KHz)</b>	dB	-	0.80	1.20
<b>Group Delay Variation</b>	nsec	-	250	350
<b>Absolute Delay</b>	usec	-	4.85	-
<b>Substrate Material</b>	-	Quartz		
<b>Temperature Coefficient</b>	ppm/°C	-0.03		

## Package Dimension



## Matching Configuration



L1=68nH, L2=68nH, L3=39nH, L4=56nH  
 Source / Load Impedance = 50Ω  
 Ambient Temperature = 25°C

Rev.0 090724

