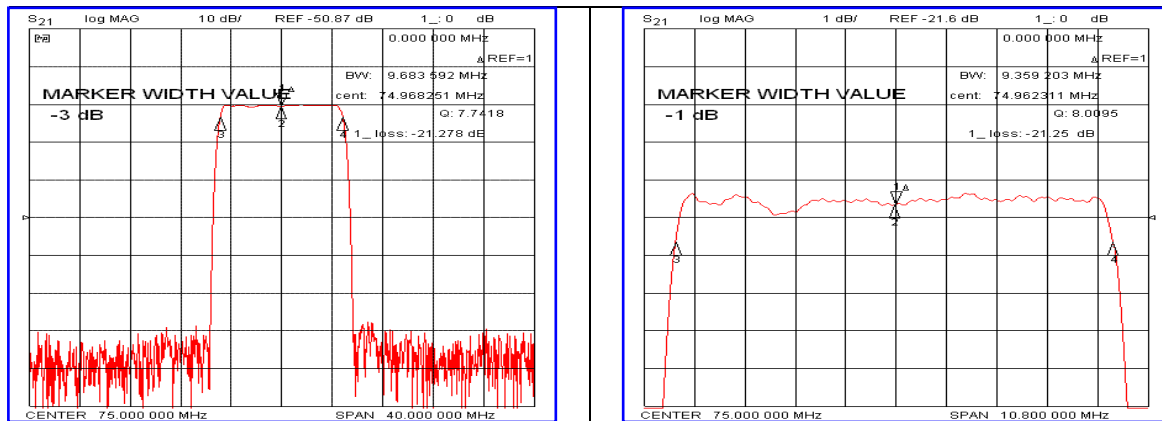


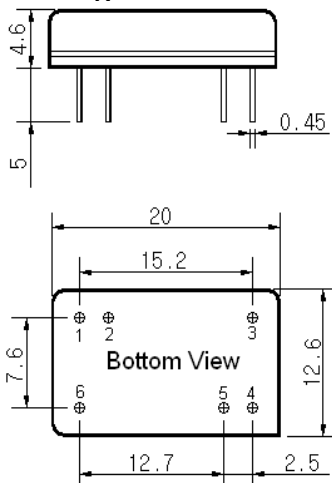
### Typical Performance



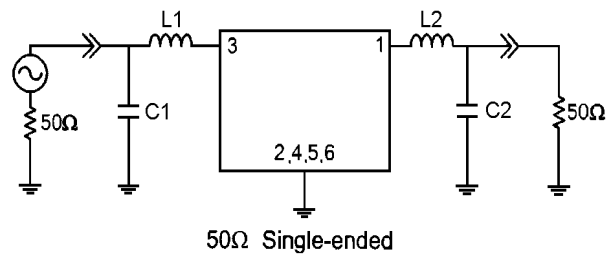
### Specification

Parameter	Unit	Min.	Typ.	Max.
Center Frequency	MHz	74.92	75.00	75.08
Insertion Loss	dB	-	21.50	24.00
1dB Bandwidth	MHz	-	9.35	-
3dB Bandwidth	MHz	9.50	9.68	-
40dB Bandwidth	MHz	-	11.05	11.20
Passband Ripple	dB	-	0.60	1.00
Group Delay Variation	nsec	-	55	100
Absolute Delay	μsec	-	2.17	-
Ultimate Attenuation	dB	50	55	-
Substrate Material	-	128-LN		
Temperature Coefficient	ppm/°C	-72		

### Package Dimension



### Matching Configuration



L1=68nH, L2=68nH, C1=30pF, C2=36pF  
 Source / Load Impedance = 50Ω  
 Ambient Temperature = 25°C

Rev 1. 100615

