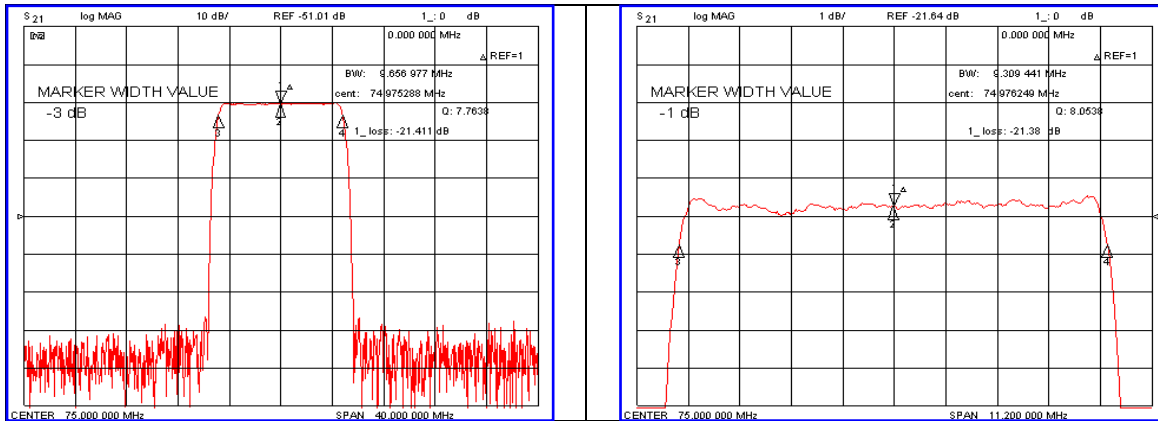


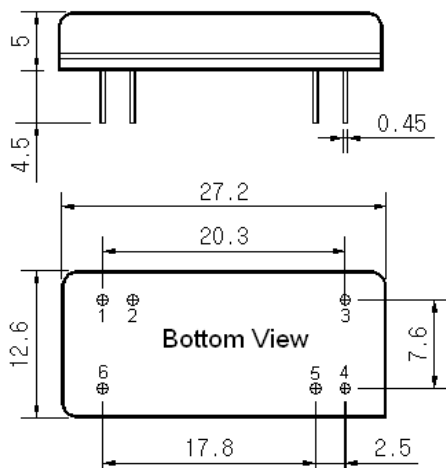
Typical Performance



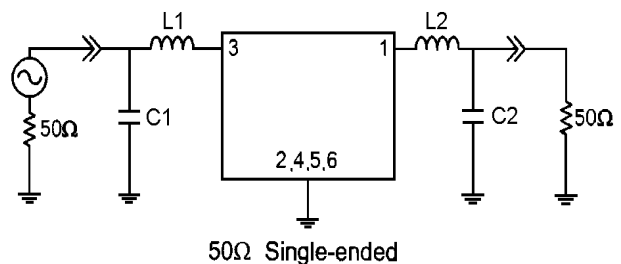
Specification

| Parameter | Unit | Min. | Typ. | Max. |
|-------------------------|--------|------------------------|-------|-------|
| Center Frequency | MHz | 74.92 | 75.00 | 75.08 |
| Insertion Loss | dB | - | 21.50 | 24.00 |
| 1dB Bandwidth | MHz | - | 9.30 | - |
| 3dB Bandwidth | MHz | 9.50 | 9.65 | - |
| 40dB Bandwidth | MHz | - | 11.07 | 11.20 |
| Passband Ripple | dB | - | 0.55 | 1.00 |
| Group Delay Variation | nsec | - | 45 | 80 |
| Absolute Delay | µsec | - | 2.17 | - |
| Ultimate Attenuation | dB | 50 | 55 | - |
| Substrate Material | - | 128-LiNbO ₃ | | |
| Temperature Coefficient | ppm/°C | -72 | | |

Package Dimension



Matching Configuration



L1=68nH, L2=68nH, C1=30pF, C2=36pF
 Source / Load Impedance = 50Ω
 Ambient Temperature = 25°C

Rev.0 091215

