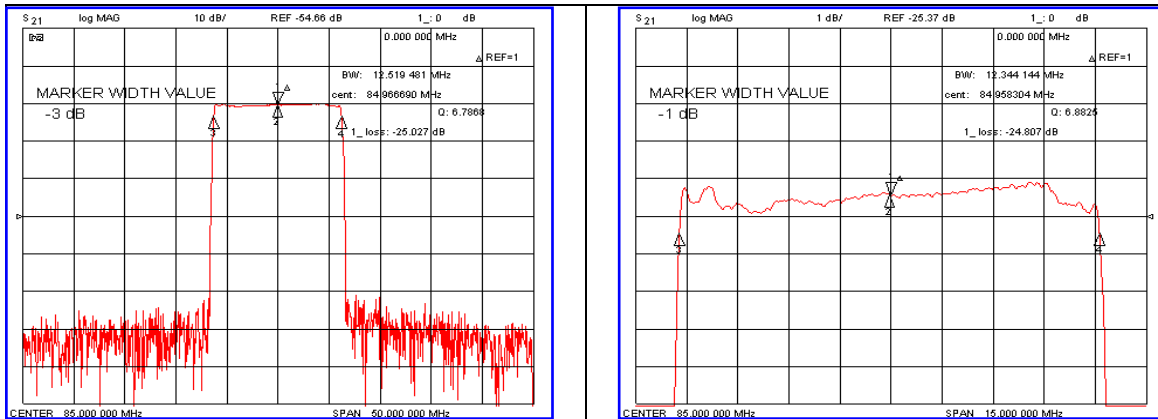


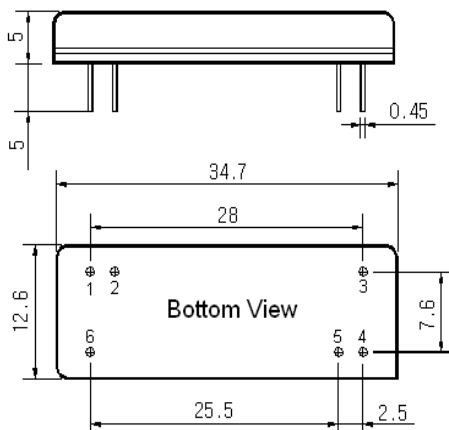
Typical Performance



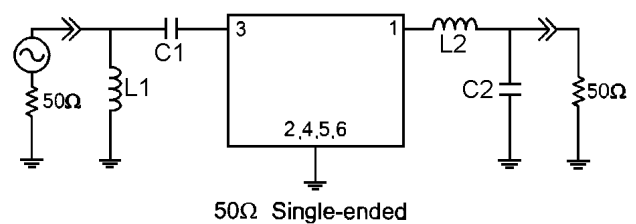
Specification

Parameter	Unit	Min.	Typ.	Max.
Center Frequency	MHz	84.92	85.00	85.08
Insertion Loss	dB	-	25.00	26.50
1dB Bandwidth	MHz	12.25	12.34	-
3dB Bandwidth	MHz	-	12.51	-
20dB Bandwidth	MHz	-	12.99	13.10
40dB Bandwidth	MHz	-	13.20	13.30
Passband Ripple	dB	-	0.84	1.00
Group Delay Variation	nsec	-	100	200
Absolute Delay	usec	-	4.06	-
Ultimate Attenuation	dB	47	50	-
Substrate Material	-	128-LiNbO ₃		
Temperature Coefficient	ppm/°C	-72		

Package Dimension



Matching Configuration



L1=120nH, L2=68nH, C1=110pF, C2=10pF
 Source / Load Impedance = 50Ω
 Ambient Temperature = 25°C

Rev.0 090317

